



SLV

PLASTRA 104

wall light, QT14, round, white plaster, QT14, max. 42 W

Article number 148016

Product family Plastra

Feed-in capability No

Lampholder / Socket G9

Number of light sources 1

Lamp included No

Width 11 cm

Height 12 cm

Depth 10.5 cm

Net weight 0.82 kg

Gross weight 0.964 kg

Voltage 230V ~50Hz

Max. wattage 42 Watt

Protection class I

Energy efficiency class A+

Catalogue page BIG WHITE 2019: 146

Lamp QT14

Colour white

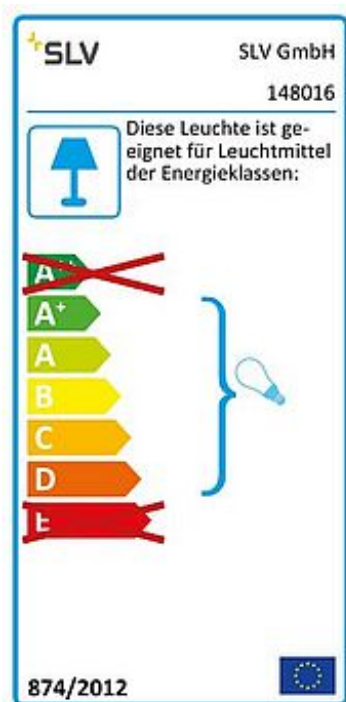
Form round

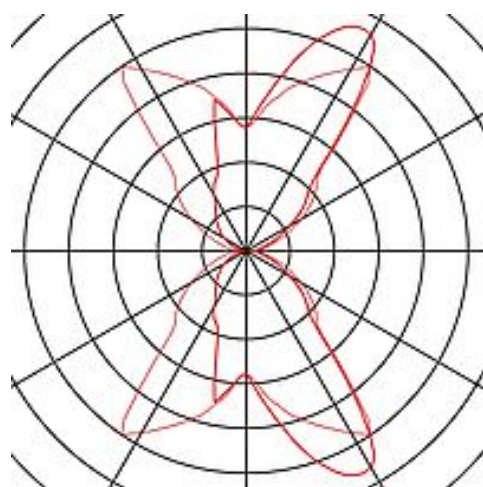
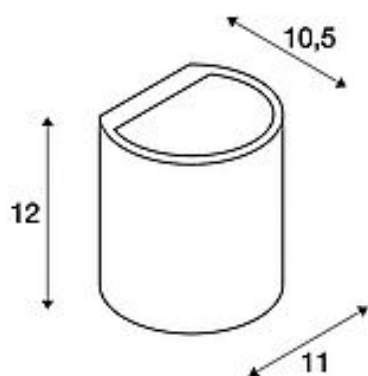
Light distribution type 1 direct - indirect

Light distribution type 2 symmetric

Material Plaster/steel

Way of mounting Surface mounted / Wall mounted





Articles of this series

148001	PLASTRA 105, ceiling light, TC-DSE, round, white plaster, max. 50 W
148002	PLASTRA 104, ceiling light, TC-DSE, square, white plaster, max. 50 W
148004	PLASTRA, ceiling light, QPAR51, square, white plaster, max. 35 W
148010	PLASTRA wall light, square, 100 Slot, white plaster, E14, max. 40 W
148011	PLASTRA 103, wall light, C35, square, white plaster, max. 8 W
148012	PLASTRA 102 CURVE, wall light, white plaster, QT-DE12, max. 100 W
148013	PLASTRA 101, wall light, C35, half-round, white plaster, max. 40 W
148015	PLASTRA, wall light, QPAR51, square, white plaster, up/down, max. 35 W
148017	PLASTRA, wall light, TC-(D,H,T,Q)SE, 105 Torch, white plaster, max. 40 W
148018	PLASTRA wall light, QPAR51, square, Cube, white plaster, max. 42 W
148019	PLASTRA SQUARE, wall light, LED strip, 3000K, square, white plaster max. 10.8 W
148040	PLASTRA PD-1 pendant, LED GX53, white plaster, 9 W
148041	PLASTRA, CONE pendant, TCR-TSE, trapezoidal-shaped, white plaster
148042	PLASTRA, pendant, LED GU10 51 mm, round, white plaster,
148051	PLASTRA BOX, ceiling light, single-headed, QPAR51, square, white plaster, max. 35 W
148052	PLASTRA BOX, ceiling light, double-headed, QPAR51, square, white plaster, max. 70 W
148053	PLASTRA BOX, ceiling light, triple-headed, QPAR51, square, white plaster, max. 105 W
148060	PLASTRA wall light, QPAR51, round, tube, white plaster, max. 70W
148070	PLASTRA, recessed fitting, QPAR51, round, white plaster, max. 35W

148071 PLASTRA, recessed fitting, QPAR51, square, white plaster, max. 35W

148072 PLASTRA, recessed fitting, QPAR51, square, indirect, white plaster, max. 35W

The PLASTRA 104 plaster light is a highly individual UP/DOWN wall light with a pure, clear form. Prepared for the use of one G9 halogen lamp, it is ready for direct connection to 230V mains supply. The sandpaper included as part of the delivery is used to clean the surfaces. After priming, the luminaire can be painted with wall paint as desired. This luminaire is suitable for lamps of energy classes: D - A+

Notes
