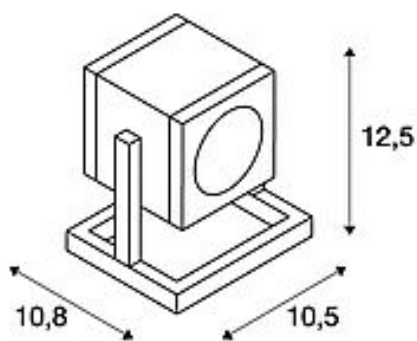




## CUBIX 1 outdoor floor stand

single-headed, QPAR51, IP44, square, silver-grey, energy saving lamp, max. 25W

Article number	132832
Feed-in capability	No
Lampholder / Socket	GU10
Number of light sources	1
Lamp included	No
Tilt range	100 Degree
Length	10.8 cm
Width	10.5 cm
Height	12.5 cm
Net weight	0.764 kg
Gross weight	0.865 kg
Voltage	230V ~50Hz
Max. wattage	25 Watt
Protection class	I
IP-rating	IP 44
Energy efficiency class	A++
Catalogue page	BIG WHITE 2018: 644
Light distribution type 1	direct
Lamp	QPAR51
Colour	Silver-grey
Form	square
Material	Aluminium/steel/glass
Type of plug	IP Schuko plug
Way of mounting	Surface mounted / Surface ground



#### Articles of this series

- 
- |        |  |
|--------|--|
| 132835 | CUBIX 1 outdoor floor stand, single-headed, QPAR51, IP44, square, anthracite, energy saving lamp, max. 25W |
|--------|--|
- 
- |        |  |
|--------|--|
| 132842 | CUBIX 2 outdoor floor stand, double-headed, QPAR51, IP44, silver-grey, energy saving lamp, max. 100W |
|--------|--|
- 

The CUBIX 1 mobile aluminium luminaire is protection class IP44 and suitable for outdoor areas. The lamp head which is mounted on the frame is tiltable for optimum illumination. The electrical connection is made using the fitted cable and mains plug directly to the 230V supply. This luminaire is suitable for lamps of energy classes: E - A++

#### Notes

---

---

---