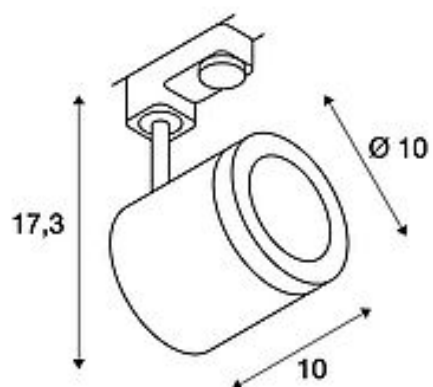


ENOLA_C

spot for 240V 3-phase track, LED, 3000K, round, white, 55°, 11.2 W, incl. 3-phase adapter

Article number	152431
Product family	Enola_C
Feed-in capability	No
Lamp included	No
Tilt range	90 Degree
Rotation range	350 Degree
Length	10.7 cm
Height	17.3 cm
Diameter	10 cm
Net weight	0.685 kg
Gross weight	0.933 kg
Voltage	220-240V ~50/60Hz sec. 500mA
Protection class	I
Beam angle	55 Degree
Average lifespan	40000 Hours
Colour temperature	3000 Kelvin
Colour rendering index	> 80
Luminous flux	900 lm
Energy efficiency class	A++
Catalogue page	BIG WHITE 2019: 289
Colour	white
Form	cylindric

Light



distribution
type 1

direct

Light
distribution
type 2

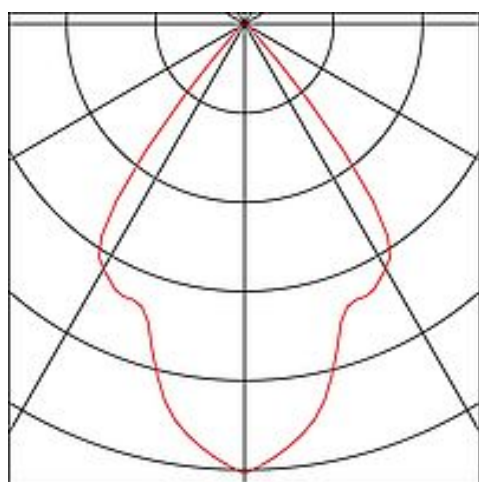
rotational symmetric

Material

Aluminium

Way of
mounting

Surface mounted / Ceiling mounted / Wall mounted /
Ceiling track / Wall track



Articles of this series

143941	ENOLA_C spot for 240V 1-phase track, LED, 3000K, round, matt white, 35°, 11.2W, incl. 1-phase adapter
143944	ENOLA_C spot for 240V 1-phase track, LED, 3000K, round, silver-grey, 35°, 11.2W, incl. 1-phase adapter
143951	ENOLA_C spot for 240V 1-phase track, LED, 3000K, round, matt white, 55°, 11.2W, incl. 1-phase adapter
143954	ENOLA_C spot for 240V 1-circuit track, LED, 3000K, round, silver-grey, 55°, 12W, incl. 1-circuit adapter
152101	ENOLA_C, ceiling light, LED, 3000K, round, white, 35°
152111	ENOLA_C SPOT, ceiling light, LED, 3000K, round, white, 35°
152420	ENOLA_C, spot for 240V 3-phase track, LED, 3000K, round, black, 35°, 11.2 W, incl. 3-phase adapter
152421	ENOLA_C, spot for 240V 3-phase track, LED, 3000K, round, white, 35°, 11.2 W, incl. 3-phase adapter
152424	ENOLA_C, spot for 240V 3-phase track, LED, 3000K, round, silver-grey, 35°, 11.2 W, incl. 3-phase adapter
152430	ENOLA_C, spot for 240V 3-phase track, LED, 3000K, round, black, 55°, 11.2 W, incl. 3-phase adapter
152434	ENOLA_C, spot for 240V 3-phase track, LED, 3000K, round, silver-grey, 55°, 11.2 W, incl. 3-phase adapter
152460	ENOLA_C, spot for 240V 3-phase track, LED, 3000K, round, black, 35°, 20.5 W, incl. 3-phase adapter
152461	ENOLA_C, spot for 240V 3-phase track, LED, 3000K, round, white, 35°, 20.5 W, incl. 3-phase adapter
152464	ENOLA_C, spot for 240V 3-phase track, LED, 3000K, round, silver-grey, 35°, 20.5 W, incl. 3-phase adapter
152470	ENOLA_C, spot for 240V 3-phase track, LED, 3000K, round, black, 55°, 20.5 W, incl. 3-phase adapter
152471	ENOLA_C, spot for 240V 3-phase track, LED, 3000K, round, white, 55°, 20.5 W, incl. 3-phase adapter
152474	ENOLA_C, spot for 240V 3-phase track, LED, 3000K, round, silver-grey, 55°, 20.5 W, incl. 3-phase adapter
228501	ENOLA_C, outdoor ceiling light, LED, 3000K, IP55, round, white, 35°
228505	ENOLA_C, outdoor ceiling light, LED, 3000K, IP55, round, anthracite, 35°

228511	ENOLA_C, outdoor wall light, LED, 3000K, IP55, round, white, Ø/H 10/11.8 cm, 35°
228515	ENOLA_C, outdoor wall light, LED, 3000K, IP55, round, anthracite, Ø/H 10/11.8 cm, 35°
228521	ENOLA_C, outdoor wall light, LED, 3000K, IP55, round, up/down, white, Ø/H 10/23.2 cm
228525	ENOLA_C, outdoor wall light, LED, 3000K, IP55, round, up/down, anthracite, Ø/H 10/23.2 cm
228531	ENOLA_C, outdoor display fitting, LED, 3000K, IP55, round, white
228535	ENOLA_C, outdoor display fitting, LED, 3000K, IP55, round, anthracite
228545	ENOLA_C POLE, outdoor floor stand, LED, 3000K, IP55, anthracite, 35°

Turnable and tiltable high-voltage LED spot ENOLA_C with suitable adapter for the 240V 3-phase track system. Outfitted with a powerful, warm white COB LED, the spot is available in a number of colours, as well as various beam angles. As an accessory for the cylindrical spot, we also offer suitable decorative rings with a textured glass diffuser. This luminaire contains built-in LED lamps. EEI: A - A++. The lamps in the luminaire cannot be replaced.

Notes
