

# PRODUCT FAMILY DATASHEET

## DOWNLIGHT SLIM SQUARE

Flat downlights with integrated driver, square shape



---

### AREAS OF APPLICATION

- Direct replacement for luminaires with compact fluorescent lamps
- General illumination
- Public areas
- Stairways
- Corridors
- Foyers
- Shops

---

### PRODUCT BENEFITS

- Very slim housing
- Low installation depth
- High luminous efficacy
- Energy savings up to 60 % (compared to luminaires that use CFL lamps)
- Very homogenous light
- Functional design
- Easy installation with fast connection
- Simple installation thanks to integrated driver

---

### PRODUCT FEATURES

- Small visible bezel
- Connector box with push wire terminal for tool-free connection
- Light guide made of non-yellowing PMMA for long lifetime



TECHNICAL DATA

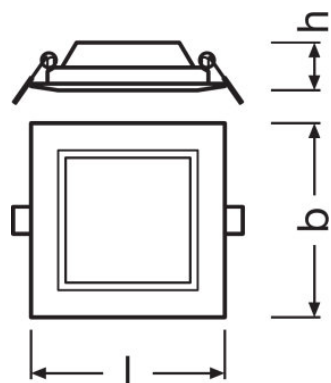
Product description	Electrical data				Luminaire control gear data		Photometrical data			Light technical data
	Nominal wattage	Nominal voltage	Power factor λ	Mains frequency	Output current	ECG - Output ripple current	Luminous flux	Light color (designation)	Color rendering index Ra	Beam angle
DL SLIM SQ 105 6 W 3000 K WT	6.00 W	220...240 V	0.50	50/60 Hz	180 mA	<6.5 %	420 lm	Warm White	>80	120 °
DL SLIM SQ 105 6 W 4000 K WT	6.00 W	220...240 V	0.50	50/60 Hz	180 mA	<6.5 %	430 lm	Cool White	>80	120 °
DL SLIM SQ 105 6 W 6500 K WT	6.00 W	220...240 V	0.50	50/60 Hz	180 mA	<6.5 %	430 lm	Cool Daylight	>80	120 °
DL SLIM SQ 155 12 W 3000 K WT	12.00 W	220...240 V	0.50	50/60 Hz	180 mA	<6.5 %	1020 lm	Warm White	>80	120 °
DL SLIM SQ 155 12 W 4000 K WT	12.00 W	220...240 V	0.50	50/60 Hz	180 mA	<6.5 %	1020 lm	Cool White	>80	120 °
DL SLIM SQ 155 12 W 6500 K WT	12.00 W	220...240 V	0.50	50/60 Hz	180 mA	<6.5 %	1020 lm	Cool Daylight	>80	120 °
DL SLIM SQ 210 18 W 3000 K WT	18.00 W	220...240 V	0.50	50/60 Hz	295 mA	<6.5 %	1530 lm	Warm White	>80	120 °
DL SLIM SQ 210 18 W 4000 K WT	18.00 W	220...240 V	0.50	50/60 Hz	295 mA	<6.5 %	1530 lm	Cool White	>80	120 °
DL SLIM SQ 210 18 W 6500 K WT	18.00 W	220...240 V	0.50	50/60 Hz	295 mA	<6.5 %	1530 lm	Cool Daylight	>80	120 °

Product description	Dimensions & weight						Colors & materials			Temperatures & operating conditions
	Length	Width	Height	Product weight	Mounting length	Mounting width	Body material	Product color	Cover material	Ambient temperature range
DL SLIM SQ 105 6 W 3000 K WT	118.0 mm	118.0 mm	30.0 mm	172.00 g	105.0 mm	105.0 mm	Polycarbonate (PC)	White	Polycarbonate (PC)	-20...50 °C
DL SLIM SQ 105 6 W 4000 K WT	118.0 mm	118.0 mm	30.0 mm	172.00 g	105.0 mm	105.0 mm	Polycarbonate (PC)	White	Polycarbonate (PC)	-20...50 °C
DL SLIM SQ 105 6 W 6500 K WT	118.0 mm	118.0 mm	30.0 mm	172.00 g	105.0 mm	105.0 mm	Polycarbonate (PC)	White	Polycarbonate (PC)	-20...50 °C
DL SLIM SQ 155 12 W 3000 K WT	169.0 mm	169.0 mm	30.0 mm	308.00 g	155.0 mm	155.0 mm	Polycarbonate (PC)	White	Polycarbonate (PC)	-20...50 °C
DL SLIM SQ 155 12 W 4000 K WT	169.0 mm	169.0 mm	30.0 mm	308.00 g	155.0 mm	155.0 mm	Polycarbonate (PC)	White	Polycarbonate (PC)	-20...50 °C
DL SLIM SQ 155 12 W 6500 K WT	169.0 mm	169.0 mm	30.0 mm	308.00 g	155.0 mm	155.0 mm	Polycarbonate (PC)	White	Polycarbonate (PC)	-20...50 °C

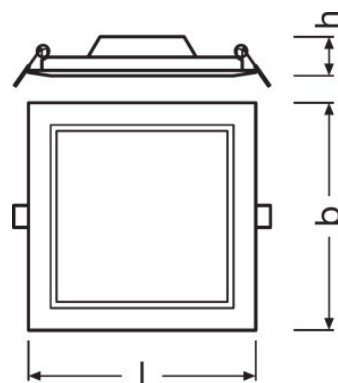
Product description	Dimensions & weight						Colors & materials			Temperatures & operating conditions
	Length	Width	Height	Product weight	Mounting length	Mounting width	Body material	Product color	Cover material	Ambient temperature range
DL SLIM SQ 210 18 W 3000 K WT	225.0 mm	225.0 mm	30.0 mm	527.00 g	210.0 mm	210.0 mm	Polycarbonate (PC)	White	Polycarbonate (PC)	-20...50 °C
DL SLIM SQ 210 18 W 4000 K WT	225.0 mm	225.0 mm	30.0 mm	527.00 g	210.0 mm	210.0 mm	Polycarbonate (PC)	White	Polycarbonate (PC)	-20...50 °C
DL SLIM SQ 210 18 W 6500 K WT	225.0 mm	225.0 mm	30.0 mm	527.00 g	210.0 mm	210.0 mm	Polycarbonate (PC)	White	Polycarbonate (PC)	-20...50 °C

Product description	Lifespan				Capabilities		Certificates & standards
	Lifespan L70 at 25 °C	Lifespan L80 at 25 °C	Lifespan L90 at 25 °C	Number of switching cycles	Dimmable	Type of connection	Protection class
DL SLIM SQ 105 6 W 3000 K WT	30000 h	20000 h	12000 h	50000	No	Screwless terminal, 2-Pole	II
DL SLIM SQ 105 6 W 4000 K WT	30000 h	20000 h	12000 h	50000	No	Screwless terminal, 2-Pole	II
DL SLIM SQ 105 6 W 6500 K WT	30000 h	20000 h	12000 h	50000	No	Screwless terminal, 2-Pole	II
DL SLIM SQ 155 12 W 3000 K WT	30000 h	20000 h	12000 h	50000	No	Screwless terminal, 2-Pole	II
DL SLIM SQ 155 12 W 4000 K WT	30000 h	20000 h	12000 h	50000	No	Screwless terminal, 2-Pole	II
DL SLIM SQ 155 12 W 6500 K WT	30000 h	20000 h	12000 h	50000	No	Screwless terminal, 2-Pole	II
DL SLIM SQ 210 18 W 3000 K WT	30000 h	20000 h	12000 h	50000	No	Screwless terminal, 2-Pole	II
DL SLIM SQ 210 18 W 4000 K WT	30000 h	20000 h	12000 h	50000	No	Screwless terminal, 2-Pole	II
DL SLIM SQ 210 18 W 6500 K WT	30000 h	20000 h	12000 h	50000	No	Screwless terminal, 2-Pole	II

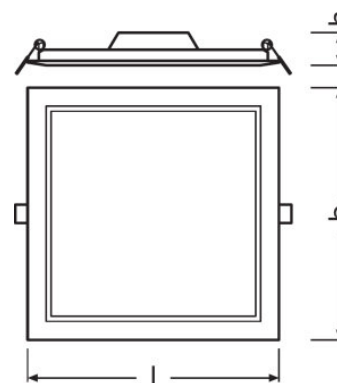
Product description	Type of protection
DL SLIM SQ 105 6 W 3000 K WT	IP20
DL SLIM SQ 105 6 W 4000 K WT	IP20
DL SLIM SQ 105 6 W 6500 K WT	IP20
DL SLIM SQ 155 12 W 3000 K WT	IP20
DL SLIM SQ 155 12 W 4000 K WT	IP20
DL SLIM SQ 155 12 W 6500 K WT	IP20
DL SLIM SQ 210 18 W 3000 K WT	IP20
DL SLIM SQ 210 18 W 4000 K WT	IP20
DL SLIM SQ 210 18 W 6500 K WT	IP20



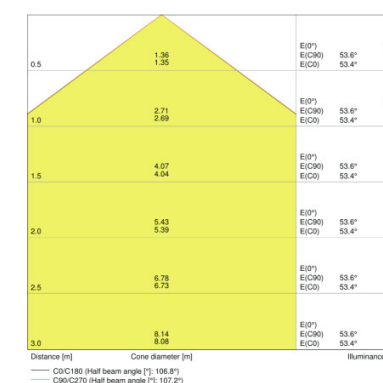
DL SLIM SQ 105 6 W 3000 K WT, DL SLIM SQ 105 6 W 4000 K WT, DL SLIM SQ 105 6 W 6500 K WT



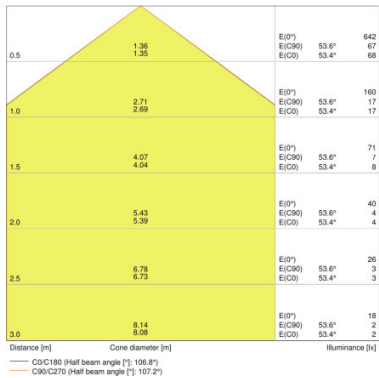
DL SLIM SQ 155 12 W 3000 K WT, DL SLIM SQ 155 12 W 4000 K WT, DL SLIM SQ 155 12 W 6500 K WT



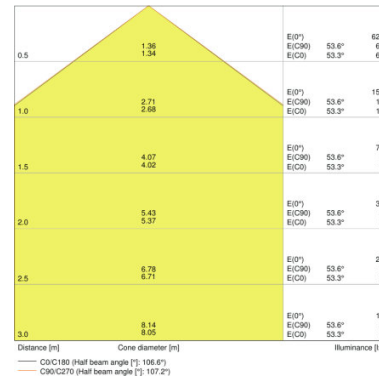
DL SLIM SQ 210 18 W 3000 K WT, DL SLIM SQ 210 18 W 4000 K WT, DL SLIM SQ 210 18 W 6500 K WT



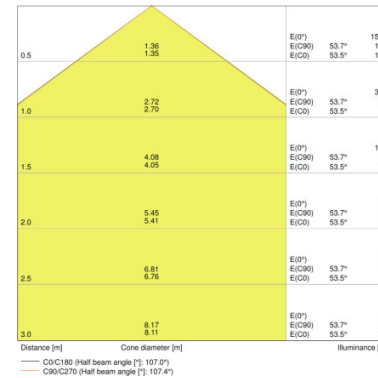
DL SLIM SQ 105 6 W 3000 K WT



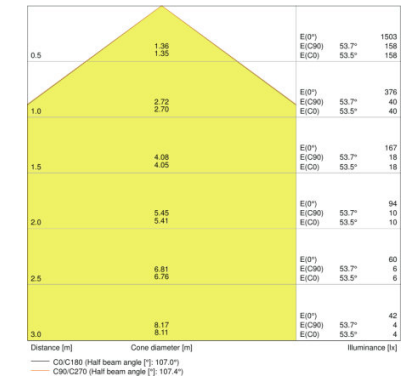
DL SLIM SQ 105 6 W 4000 K WT



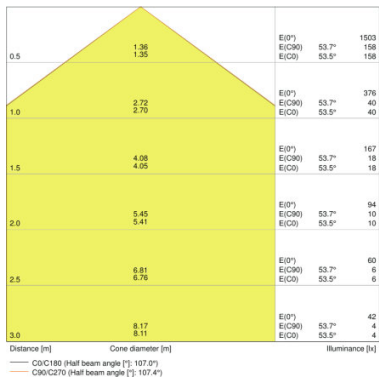
DL SLIM SQ 105 6 W 6500 K WT



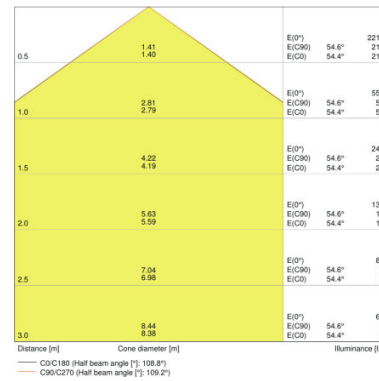
DL SLIM SQ 155 12 W 3000 K WT



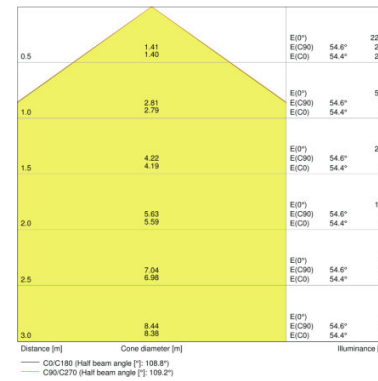
DL SLIM SQ 155 12 W 4000 K WT



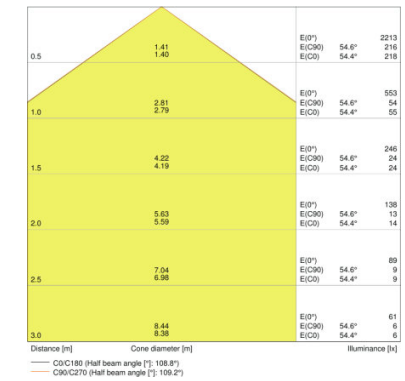
DL SLIM SQ 155 12 W 6500 K WT



DL SLIM SQ 210 18 W 3000 K WT



DL SLIM SQ 210 18 W 4000 K WT



DL SLIM SQ 210 18 W 6500 K WT

EQUIPMENT / ACCESSORIES

– Surface mounting frames available as accessories

## APPLICATION ADVICE

For more detailed application information and graphics please see product datasheet.

## LOGISTICAL DATA

Product code	Product description	Packaging unit (Pieces/Unit)	Dimensions (length x width x height)	Volume	Gross weight
4058075079212	DL SLIM SQ 105 6 W 3000 K WT	Shipping carton box 6	290 mm x 165 mm x 165 mm	7.90 dm <sup>3</sup>	1401.00 g
4058075079236	DL SLIM SQ 105 6 W 4000 K WT	Shipping carton box 6	290 mm x 165 mm x 165 mm	7.90 dm <sup>3</sup>	1401.00 g
4058075079250	DL SLIM SQ 105 6 W 6500 K WT	Shipping carton box 6	290 mm x 165 mm x 165 mm	7.90 dm <sup>3</sup>	1401.00 g
4058075079274	DL SLIM SQ 155 12 W 3000 K WT	Shipping carton box 6	290 mm x 205 mm x 195 mm	11.59 dm <sup>3</sup>	2374.00 g
4058075079298	DL SLIM SQ 155 12 W 4000 K WT	Shipping carton box 6	290 mm x 205 mm x 195 mm	11.59 dm <sup>3</sup>	2374.00 g
4058075079311	DL SLIM SQ 155 12 W 6500 K WT	Shipping carton box 6	290 mm x 205 mm x 195 mm	11.59 dm <sup>3</sup>	2374.00 g
4058075079335	DL SLIM SQ 210 18 W 3000 K WT	Shipping carton box 6	290 mm x 270 mm x 250 mm	19.58 dm <sup>3</sup>	3991.00 g
4058075079359	DL SLIM SQ 210 18 W 4000 K WT	Shipping carton box 6	290 mm x 270 mm x 250 mm	19.58 dm <sup>3</sup>	3991.00 g
4058075079373	DL SLIM SQ 210 18 W 6500 K WT	Shipping carton box 6	290 mm x 270 mm x 250 mm	19.58 dm <sup>3</sup>	3991.00 g

The mentioned product code describes the smallest quantity unit which can be ordered. One shipping unit can contain one or more single products. When placing an order, for the quantity please enter single or multiples of a shipping unit.

## REFERENCES / LINKS

For Guarantee see

▶ [www.ledvance.com/guarantee](http://www.ledvance.com/guarantee)

---

**DISCLAIMER**

Subject to change without notice. Errors and omission excepted. Always make sure to use the most recent release.