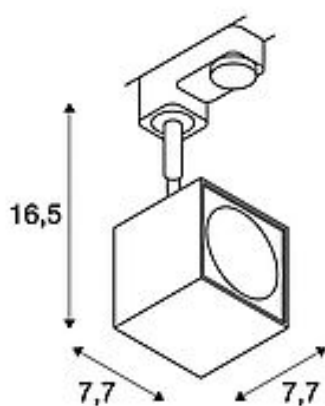


SLV ALTRA DICE

spot for 240V 3-phase track, QPAR51, square, white, max. 50W, incl. 3-phase adapter



Article number	152321
Product family	Altra Dice
Feed-in capability	No
Lamp	QPAR51
Lampholder / Socket	GU10
Number of light sources	1
Lamp included	No
Tilt range	180 Degree
Rotation range	350 Degree
Length	7.7 cm
Width	7.7 cm
Height	16.5 cm
Net weight	0.42 kg
Gross weight	0.537 kg
Voltage	220-240V ~50/60Hz
Max. wattage	50 Watt
Protection class	I
Material	Aluminium
Colour	white
Energy efficiency class	A++
Light distribution type	direct
Form	square
Way of	Surface mounted / Ceiling mounted / Wall mounted /

mounting

Ceiling track / Wall track

Articles of this series

143350	ALTRA DICE, spot for 240V 1-phase track, QPAR51, square, black, max. 50W, incl. 1-phase adapter
143351	ALTRA DICE, spot for 240V 1-phase track, LED GU10 51 mm, square, white, 50W, incl. 1-phase adapter
143354	ALTRA DICE, spot for 240V 1-phase track, QPAR51, square, silver-grey / black, max. 50W, incl. 1-phase adapter
151171	ALTRA DICE 2 wall and ceiling light, double-headed, QPAR51, square, white, max. 100 W
151174	ALTRA DICE 2 wall and ceiling light, double-headed, QPAR51, square, silver-grey/black, max. 100 W
151181	ALTRA DICE 3 wall and ceiling light, triple-headed, QPAR51, square, white, max. 150 W
151184	ALTRA DICE 3 wall and ceiling light, triple-headed, QPAR51, square, silver-grey/black, max. 150 W
151501	ALTRA DICE WL-1, wall light, QPAR51, square, white, max. 35W
151504	ALTRA DICE WL-1, wall light, QPAR51, square, silver-grey/black, max. 35W
151511	ALTRA DICE, ceiling light, QPAR51, square, white, max. 35W
151514	ALTRA DICE, ceiling light, QPAR51, square, silver-grey/black, max. 35W
151521	ALTRA DICE, ceiling light, single-headed, QPAR51, square, white, max. 50W
151524	ALTRA DICE, ceiling light, single-headed, QPAR51, square, silver-grey/black, max. 50W
151531	ALTRA DICE, ceiling light, double-headed, QPAR51, white, max. 100 W
151534	ALTRA DICE, ceiling light, double-headed, QPAR51, silver-grey/black, max. 100 W
151561	ALTRA DICE WL-2, wall light, QPAR51, white, max. 50W
151564	ALTRA DICE WL-2, wall light, QPAR51, silver-grey, max. 50W
152320	ALTRA DICE, spot for 240V 3-phase track, QPAR51, square, black, max. 50W, incl. 3-phase adapter
152324	ALTRA DICE, spot for 240V 3-phase track, QPAR51, square, silver-grey / black, max. 50W, incl. 3-phase adapter

Adjustable high-voltage spot ALTRA DICE with suitable adapter for the 240V 3-phase track system. The luminaire is made of aluminium and, thanks to the GU10 socket, is suitable for both halogen and LED lamps. As an extension of the ALTRA DICE series we also offer wall and ceiling lights. This luminaire is suitable for lamps of energy classes: E - A++

Notes
