

PRODUCT DATASHEET

1906 CONE FLOOR 250x1550 Glass Smoke

Vintage 1906 Cone | Indoor smoke glass luminaires, vintage style, E27 socket, cone design



AREAS OF APPLICATION

- Living areas (living rooms, dining rooms, bedrooms etc.)
- Bars, restaurants

PRODUCT BENEFITS

- Adjustable appearance thanks to use of separate available E27 lamp shapes
- Easy and quick installation

PRODUCT FEATURES

- Smoke glass lamp shade in cone design
- Special vintage appearance when combined with 1906 LED or halogen lamps
- Luminaire family for various application areas

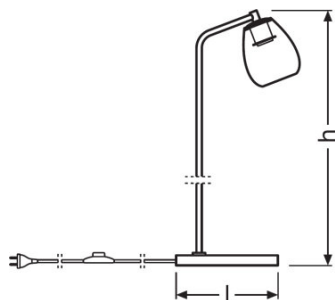


TECHNICAL DATA

Electrical data

Operating mode	Mains voltage
Nominal voltage	220...240 V
Mains frequency	50/60 Hz

Dimensions & weight



Length	250.0 mm
Height	1486 mm
Product weight	3300.00 g
Cable length	1800 mm

Colors & materials

Body material	Glass
Housing color	Smoke-grey
Product color	Smoke-grey
Housing color	Smoke-grey
Cover material	Glass

Temperatures & operating conditions

Ambient temperature range	-20...+40 °C
----------------------------------	--------------

Additional product data

Mounting type	Standing
Mounting location	Floor
Product remark	Available from April 2019

Capabilities

Dimmable	No
-----------------	----

Type of connection	Plug, EU
Holder designation	E27

Certificates & standards

Protection class	II
Type of protection	IP20
Standards	CE/EAC/REACH

EQUIPMENT / ACCESSORIES

- No light sources included
- Complete mounting and connecting accessories included

LOGISTICAL DATA

Product code	Packaging unit (Pieces/Unit)	Dimensions (length x width x height)	Gross weight	Volume
4058075216945	Folding carton box 1	193 mm x 318 mm x 623 mm	3676.00 g	38.24 dm ³
4058075216952	Shipping carton box 4	785 mm x 330 mm x 635 mm	18870.00 g	164.50 dm ³

The mentioned product code describes the smallest quantity unit which can be ordered. One shipping unit can contain one or more single products. When placing an order, for the quantity please enter single or multiples of a shipping unit.

DISCLAIMER

Subject to change without notice. Errors and omission excepted. Always make sure to use the most recent release.