

# Plexo IP 55/IP 66

Makes your day,  
rain or shine



PLEXO / WEATHERPROOF PRODUCT GUIDE

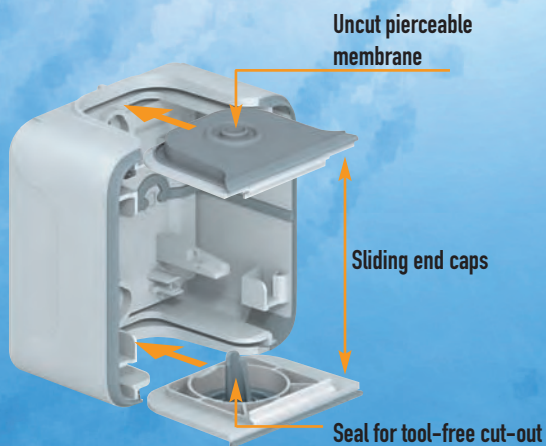
 **legrand**<sup>®</sup>

[www.legrand.com.sg](http://www.legrand.com.sg)

# Plexo IP 55

## Ingenious features for easy installation

### >> Time saving guaranteed: no cut-out



### >> Inserting 4 to 15 mm diameter cables



1/ Pierce the end cap using a screwdriver



2/ Insert the cable through the end cap



3/ The membrane of the end cap ensures IP 55 protection of the installation

### >> Inserting 16 to 25 mm diameter tubes



1/ Make the end cap cut-out by pulling the seal



2/ Insert the tube through the end cap



3/ The membrane of the end cap compensates for any misalignment of the tube and ensures IP 55 protection of the installation

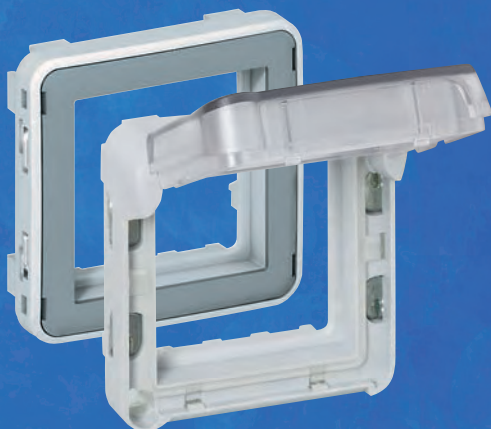
## >> Automatic terminals for safety and speed



Suitable for both **non-rigid multi-strand** and rigid cables.

## >> Yet more ingenious features

Plexo has many new improved or ingenious features to aid installation. Like, for example, the four 1/4 turn fastenings, the visible fixing points, etc.



Plexo adaptors for Mosaic, with or without flap



All the modular boxes are equipped with an automatic Nylbloc connector when a tap-off is required



Visible and accessible fixing points; identical to the Plexo 55



Locking by means of four 1/4 turn fastenings

# Plexo IP 55

## The functions that make Plexo a real new range

### >> Plexo IP 55 is evolving for you

Many new functions are being added to Plexo range to satisfy all configurations, whatever your site. In addition, all control mechanisms with an indicator light or tell-tale are supplied with their bulb for insertion. Simple and practical!



2-wire automatic switch without override Cat.No 695 00 (p. 08)



Time switch for all loads Cat.No 695 04 (p. 07)



4-button scenario switch Cat.No 695 06 (p. 07)



RF push-button Cat.No 695 05 (p. 07)



Push button with 1/4 turn unlocking Cat.No 695 49 (p. 09)



FTP cat. 6 VDI socket Cat.No 695 60 (p. 09)

**NEW**

# Plexo IP 55 – IK 07

surface and flush mounting, supplied complete



697 09



697 12



697 33



698 24

Mechanisms supplied complete, with back box and 2 membrane glands.  
Illuminated functions supplied with 230 V~ lamps  
Lamps and accessories (p. 06). Automatic connection

Pack	Cat.Nos	Switches 10 AX - 250 V~
		<b>IP 55 – IK 07</b>
10 5	Grey 697 09 697 16	Two-way switch Intermediate switch
10	697 12	Two-way switch with indicator
5	697 13	Illuminated two-way switch
10	697 15	Two-gang two-way switch
		<b>Push-buttons 10 A</b>
		<b>IP 55 – IK 07</b>
1	Grey 697 19	N/O contact
10	697 21	Illuminated N/O contact
		<b>Movement detectors</b>
		<b>IP 55</b>
		Allows control of a lighting device as soon as the movement is detected Maximum load: - 2 000 W for incandescent and halogen lamps 230 V~ and - 2 000 W for ELV halogen lamps, - 1 000 VA for fluorescent tubes and compact fluorescent lamps Detection range from 0 to 12 m Coverage pattern adjustable during installation process Temporization between 12 s and 16 min. Dim. 90x90x85 mm
1	Grey 697 40	Detection angle : 360°
		<b>Key switches 10 A - 250 V~</b>
		<b>IP 20 – IK 07</b>
1	Grey 697 06	Key switch for European standard lock 1 pole, switch/push button 3 positions "1-0-2" To be equipped with lock Cat.No 696 95 below
1	697 95	European standard lock Supplied with one set of 3 keys
		<b>Cable outlet</b>
		<b>IP 55 – IK 07</b>
5	Grey 697 45	Cable outlet supplied with cable grip

Pack	Cat.Nos	Socket outlets
		<b>German standard 16 A – 250 V~</b>
10	Grey 697 33	2P + E with earth lateral contact with screw terminals
		<b>British standard 13 A – 250 V~</b>
5	69672SSO	2P+E switched socket outlet, 16A switch and 13A socket
10	697 32	2P+E screw terminals
5	697 39	2 x 2P+E screw terminals
		<b>French standard 16 A – 250 V~</b>
10	697 31	2P + E with shutters for child protection, automatic terminals
		<b>Switches 10 AX – 250 V~</b>
		<b>IP 55 – IK 07</b>
10	Grey 698 11	Two-way switch
		<b>Push-buttons 10 A</b>
		<b>IP 55 – IK 07</b>
10	Grey 698 21	Illuminated changeover push-button (N/O + N/C contact)
5	698 24	Illuminated changeover push-button (N/O + N/C contact), with label holder Supplied with 12 V lamp Can be equipped with 230 V~ lamp

**Plexo IP 55 – IK 07**  
surface mounting boxes and flush-mounting support frames

**NEW**



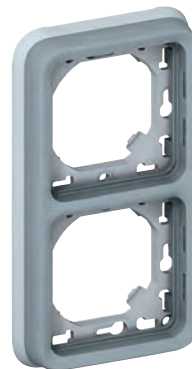
696 51



696 72


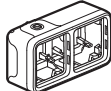
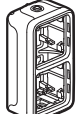
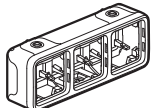



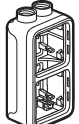
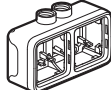
696 68


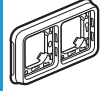
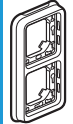
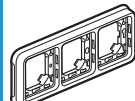


696 85

To be equipped with modular Plexo mechanisms (p. 04 to 06)  
The surface mounting boxes are equipped with Nylbloc automatic connection terminals for 2 wires (optional use for junction)

Pack	Cat.Nos	Surface mounting boxes with membrane glands
10	Grey 696 51	<p>Equipped with removable membrane glands. Direct entry of cables (No need to be cut)</p> <p><b>1 gang</b> 1 entry</p> 
5	696 72	<p><b>2 and 3 gang</b> No separation between compartments, in order to facilitate the cabling operations and to allow the installation of pre-wired socket outlets</p> <p>2 gang, 2 entries</p> 
5	696 61	<p>2 gang, vertical mounting 2 entries</p> 
5	696 80	<p>3 gang, horizontal mounting 3 entries</p> 

Pack	Cat.Nos	Surface mounting boxes for cable glands
5	Grey ISO 20 696 56	<p>1 gang 1 entry</p> 
5	696 68	<p>2 gang, vertical mounting 2 entries (2 top)</p> 
5	696 78	<p>2 gang, horizontal mounting 2 entries (2 top)</p> 

Pack	Cat.Nos	Flush-mounting support frames
10	Grey 696 81	<p>Used for flush mounting version for French and German standard boxes only</p> <p><b>1 gang</b> For 1 Plexo mechanism Can be equipped with claws Cat.No. 849 00 / 01</p> 
5	696 83	<p><b>2 and 3 gang</b> 71 mm fixing centres 2 gang, for 2 Plexo mechanisms, horizontal mounting</p> 
5	696 85	<p>2 gang, for 2 Plexo mechanisms, vertical mounting</p> 
5	696 87	<p>3 gang, for 3 Plexo mechanisms, horizontal mounting</p> 

**NEW**

# Plexo IP 55 – IK 07 accessories

# Plexo IP 55 – IK 07 accessories



















695 80




6806 33

Installation with surface mounting boxes (p. 05) or flush mounting support frames (p. 05)

Pack	Cat.Nos	Adaptors
10	 Grey/White 695 80	<b>IP 55 – IK 07 for 2 Mosaic modules</b> Can be equipped with any Mosaic function in order to obtain an IP 55 wiring device except Cat.Nos 746 55/47 For those functions use Cat.No 695 07 without adaptor  Adaptor with smoked polycarbonate flap
1	695 79	 Adaptor with smoked polycarbonate flap lockable with special tool (see below)
1	919 45	 Special tool for adaptor Cat.No 696 79
1	695 82	<b>IP 20 for 2 Mosaic modules</b>  Adaptor without flap (IP 20)
20	 Grey 6806 33	<b>IP 55 – IK 07 for 3 Mosaic or Vela modules</b>  Weatherproof IP 55 frame with membrane Allows operations of switches without opening cover maintaining IP 55 rating

Pack	Cat.Nos	Blanking plate
5	 Grey 695 37	 To be used as needed in combination with surface mounting boxes or flush mounting frames
5	 Grey 698 48	<b>Cable outlets</b> <b>IP 55 - IK 08</b>  Cable outlet supplied with cable grip Ø5 to 13 mm
10	694 96	<b>Lamps</b> For indicator function use orange colour, For locator function use green colour  230 V - 1 mA green – exclusively used for illuminated push-button
10	694 97	 230 V - 0.5 mA green 230 V - 1 mA orange 12 V - 15 mA green 24 V - 20 mA green
10	694 98	
10	694 99	
10	694 95	
10	 Grey 695 96	<b>Membrane cable glands</b>  1 entry – Ø up to 25 mm
5	695 99	 2 entries - Ø up to 16 mm



**Plexo™ boxes**

---

**Please consult us**

# Plexo IP 55 – IK 07

modular mechanisms



Mechanisms supplied with cover plate  
 Installation with surface mounting boxes (p. 05) or flush mounting support frames (p. 05)  
 Illuminated functions supplied with 230 V $\sim$  lamps (except 695 43 / 695 44 / 696 33 / 696 34: supplied with 12 V lamps)  
 Lamps and accessories (p. 06)  
 Automatic connection

Pack	Cat.Nos	Switches 10 AX - 250 V $\sim$
		<b>IP 55 – IK 07</b>
		Grey
10	695 11	Two-way switch
5	695 21	Intermediate switch
10	695 12	Two-way switch with indicator
5	695 13	Illuminated two-way switch
10	695 25	Two-gang two-way switch
10	695 30	Double pole switch
1	695 10	<b>IP 55 - IK 05</b> <b>In One by Legrand</b> RF switch 1 output: On/Off functions of the connected circuit As receiver can execute the orders received from RF scenario controllers (p. 432 and 434) 3-wire connection Maximum load: - 2500 W for incandescent and halogen lamps 230 V $\sim$ - 2500 VA for ELV halogen lamps with ferromagnetic or electronic transformers - 8 X 36 W for fluorescent tubes Ø26 or 38 mm - 500 W fluocompact lamps

Pack	Cat.Nos	Push-buttons 10 A
		<b>IP 55 – IK 07</b>
		Grey
10	695 40	N/O contact
10	695 41	Changeover (N/O + N/C contact)
10	695 42	Illuminated, N/O contact
10	695 43	Illuminated N/O contact, with label holder Supplied with 12 V lamp Can be equipped with 230 V $\sim$ lamp (p. 673)
5	695 44	Illuminated changeover push button (N/O + N/C contact), with label holder Supplied with 12 V lamp Can be equipped with 230 V $\sim$ lamp (p. 673)
1	695 05	<b>IP 55 - IK 05</b> <b>In One by Legrand</b> RF push button Allows the radio frequency control of 1 lighting scenario 1 lithium battery 3V CR 2032 supplied
1	695 06	<b>In One by Legrand</b> RF scenario controller (transmitter) Can control 4 scenarios 1 lithium battery 3V CR 2032 supplied

Pack	Cat.Nos	Illuminated time lag switch - 250 V $\sim$
5	695 04	<b>IP 55</b> Grey Electronic 2-wire connection Supplied with lamp Temporization: 25 s to 15 min. Maximum loads: - 1000 W incandescent and halogen 230 V $\sim$ - 400 W halogen 130 V - 400 VA ELV halogen lamps - 400 VA fluorescent lamps - 2300 W resistive (heating)



For availability, please consult us



**NEW**

# Plexo IP 55 – IK 07

modular mechanisms (continued)



695 00      695 17      695 34      695 07      695 08      695 60

Mechanisms supplied with cover plate  
 Installation with surface-mounting boxes (p. 05) or flush-mounting support frames (p. 05)  
 Lamps and accessories (p. 06)  
 Automatic connection

Pack	Cat.Nos	Automatic switches, 230 V~	Pack	Cat.Nos	Roller blinds control
1	 Grey/White 695 00	<b>Without neutral – 2 wire connection - IP 55 - IK 07</b> Can be used instead of a 1 way switch No additional wiring required Operates: 60 to 300 W incandescent and halogen lamps 230 V~ Temporization: 6 s to 6 min. Detection angle: 130° Luminosity threshold: 3 to 1000 lux Maximum detection range: 8 m (adjustable)	1	 Grey 695 07	<b>RF roller blinds controller</b> <b>In One by Legrand</b> RF general roller blinds controller (transmitter) Up/Stop/Down functions for simultaneous actions of a group of RF individual roller blind controllers 1 lithium battery 3V CR 2032 supplied
1	695 02	<b>With neutral – 3 wire connection - IP 55 - IK 07</b> Operates: 500 to 1000 W - incandescent and halogen lamps 230 V~ - ELV halogen lamps - fluocompact Temporization: 1 s to 16 min. Detection angle: 180° Luminosity threshold: 3 to 1000 lux Maximum detection range: 8 m (adjustable)	5	695 39	<b>Manual roller blinds controller IP 55 – IK 07</b> Double push-button for systems with automatic control box (electrical interlock) 10 A -250 V~
1	695 01	<b>Without neutral with on/off function – 2 wire connection - IP 55</b> Can be used instead of a 1 way switch No additional wiring required Equipped with on/off keys for manual operation Operates: 40 to 400 W incandescent and halogen lamps 230 V~ Temporization: 1 s to 16 min. Detection angle: 180° Luminosity threshold: 3 to 1000 lux Maximum detection range: 8 m (adjustable)	10	 Grey 695 85	<b>Socket outlets</b> <b>British standard 13 A – 250 V~</b> 2P + E screw terminals
5	 Grey 695 17	<b>Light sensitive switches, 230 V~</b> <b>Light sensitive switch 1 function - IP 55 - IK 07</b> Can be used to switch a lighting circuit "ON" and "OFF" based on light conditions (nightfall, daybreak) Supplied in one piece, including photoelectric cell Maximum load: - 1400 W incandescent and halogen lamps 230 V~ - 400 VA fluorescent tubes Luminosity threshold: 0,5 to 1500 lux	5	 Grey 695 60	<b>RJ 45 data socket</b> RJ 45 cat. 6 - FTP 9 contacts
5	695 18	<b>Photoelectric cell – IP 55</b> For use with modular light sensitive switches Cat.Nos 037 21/23/25 (p. 154)	1	 Grey 695 93	<b>Technical detector</b> <b>Flood detector - IP 41 - IK 07</b> Detects the presence of liquid at a specific height (according to its position) For transformer Cat.No 042 25 (p. 155) or modular power supply Cat.No 042 10 (p. 158) Supply voltage : 12 V = / ~ Power consumption: • 0.2 mA on stand-by mode • 20 mA in alarm mode Supplied complete with sensor and 2 m length cable
1	 Grey 695 34	<b>Key operated switches 3 A - 250 V~</b> Supplied with RONIS key n° 455 Key removable in ay position 2 positions marked "0 – I" 2 N/O contacts	1	695 35	2 positions marked "I – 0 – II" 2 N/O contacts



For availability, please consult us

**Plexo IP 55 – IK 07**  
modular mechanisms (continued)

**NEW**










695 47



695 49



695 83 + 695 91

Pack	Cat.Nos	Emergency stop functions 3 A 230 V~
1	 Grey/Yellow 695 47	Supplied with "emergency stop" label in 8 languages Yellow cover plate, red button  Emergency stop button 1 N/C contact 1 pole
1	695 48	 Emergency stop with key for reset N/O + N/C contact Key RONIS n° 455 supplied Key removable in 0 position
1	695 49	 Emergency stop - stay put 1/4 release N/O + N/C contact
10	 Grey/White 695 83	<b>Pilot lamp</b>  Accepts E 10 lamps – 230 V~ - 5 W max (supplied) Screw connection Supplied without diffusers (see below)
5	695 91	<b>Diffuser for pilot lamp</b>  Red

**PLEXO 66**

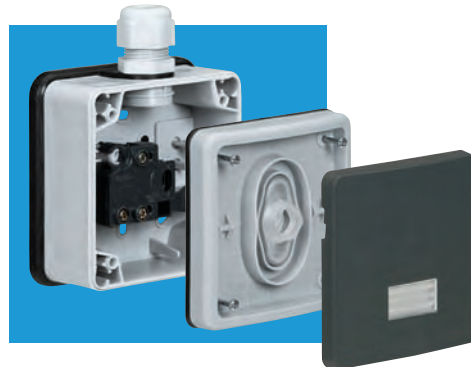


# The ultimate weatherproof solution

Plexo 66 ensures safety and peace of mind by delivering maintained IP 66 protections, even with moulded plugs inserted



> Easy to install



Stainless steel captive terminal screws supplied

> Plug inserted, IP 66 guaranteed



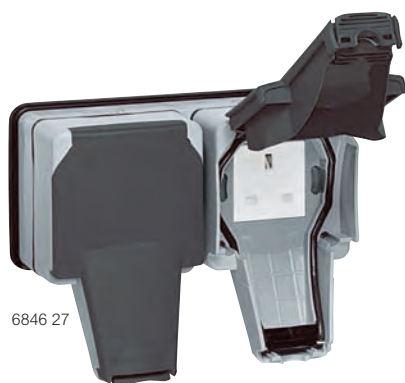
Maintained IP 66 protection even with moulded plugs inserted

# Plexo 66 - surface mounting IP 66 - IK 08

## mechanisms, boxes and accessories



6846 19










6846 27





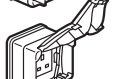
6846 28




2 finishes: - Grey RAL 7016/TO 29.- White RAL 9010  
 Supplied with ISO 20 membrane glands and caps (for rear cabling). Stainless steel captive terminal screws supplied in backed-off position  
 Supplied without lamps



Pack	Cat.Nos	20 A - 250 V~ switches
1	Grey 6846 03	Conform to BS EN 60 669-1 Fitted with rear gasket with groove to deposit silicone  1 gang Two-way switch - SP
1	6846 04	 2 gang Two-way switch - SP
1	6846 05	 1 gang Two-way switch - SP + indicator
1	6846 06	 1 gang One-way switch - DP + indicator
1	6846 02	 1 gang 1 way switch - DP

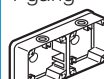
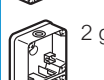
1	Grey 6846 11	 1 gang Two-way switch - SP with "Bell"
1	6846 12	 2 gang Two-way - SP with "Press"

1	Grey 6846 45	<b>13 A - 250 V~ fused spur units</b> Conform to BS 1363: Part 4 Fitted with rear gasket with groove to deposit silicone  1 gang - DP switched
---	-----------------	--

1	Grey 6846 22	<b>13 A - 250 V~ socket outlets</b> Conform to BS 1363: Part 2 Fitted with rear gasket with groove to deposit silicone  1 gang Switched socket with opaque lid
1	6846 20	 1 gang unswitched socket with opaque lid
1	6846 19	 1 gang unswitched Accepts moulded plugs with side outlet

Pack	Cat.Nos	13 A - 250 V~ socket outlets (continued)
1	Grey 6846 27	 2 gang unswitched Accepts moulded plug
1	6846 29	 2 gang switched
1	6846 28	 2 gang unswitched

1	Grey 6846 36	<b>Mosaic adaptors</b>  2 module adaptor with semi-transparent lid
1	6846 38	 3 module adaptor with semi-transparent lid

1	Grey	<b>Back boxes</b> Allow the installation of Plexo 66 mechanisms to suit individual requirements Provision for 20 mm dia. conduit entries (side and rear) Fitted with rear gasket with groove to deposit silicone 1 gang
1	6846 90	 2 gang - horizontal 6 conduit entries
1	6846 91	 2 gang - vertical 4 conduit entries

5	6846 99	<b>Accessory</b>  Gasket - black
---	---------	--

(1) White version supplied with surface mounting gasket and screws



**Legrand Singapore  
Showroom**

15 Jalan Kilang Barat  
#07-05/06/07 Frontech Centre  
Singapore 159357

**Tel:** (65) 6861 2234

**Fax:** (65) 6416 1580

**Email:** [customerhub.sg@legrand.com.sg](mailto:customerhub.sg@legrand.com.sg)

**Website:** [www.legrand.com.sg](http://www.legrand.com.sg)