

Description

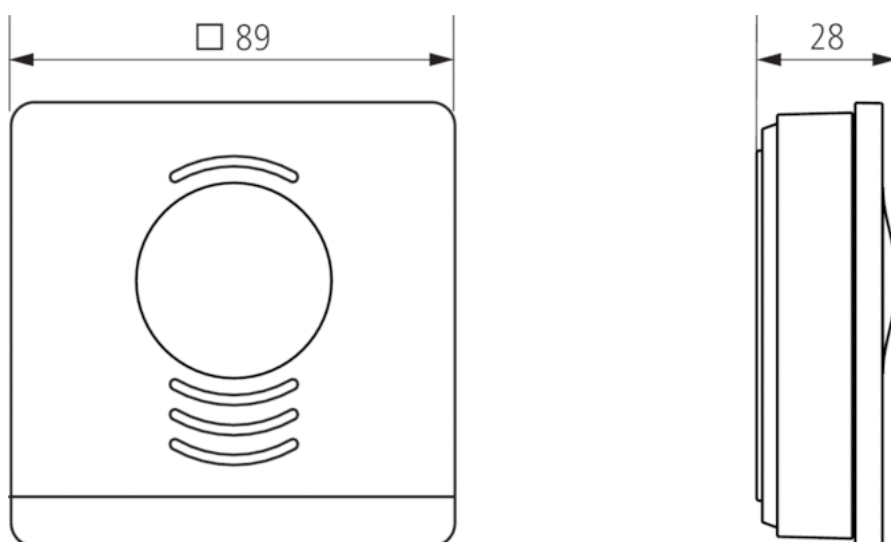


- Digital clock thermostat for time-dependent monitoring and control of room temperature
- Power supply via OpenTherm bus
- Suitable for energy-saving room temperature control in houses, apartments, etc.
- Operation via app
- Direct Bluetooth Low Energy (BLE) connection between the app and RAMSES BLE, no communication via the Internet
- Settings configured conveniently via the app with intuitive operation from a smartphone or tablet
- Increased user convenience
- Communication with the heating unit via OpenTherm
- External input for the flexible connection of the external temperature sensor, floor sensor, motion detector or telephone contact
- PI room controller, controlled by atmospheric conditions, with or without room influence
- Preset with three modifiable weekly programs for heating and one for tap water
- Suitable for modulating gas condensing boiler systems and modulating heating systems with OpenTherm interface

Technical data

Setting range temperature	+2 °C ... +30 °C
Type of connection	2-way conductor (BUS) room controller
Program	Weekly program
Number of memory locations	42
Power reserve	4 hours
Type of protection	IP 20
Protection class	II according to EN 60 730-1

Scale drawings



Article number: 8509150

Accessories

Temperature sensor

- Article number: 9070321
[Details](#) ▶ www.theben.de



Temperature sensor RAMSES IP 65

- Article number: 9070459
[Details](#) ▶ www.theben.de

