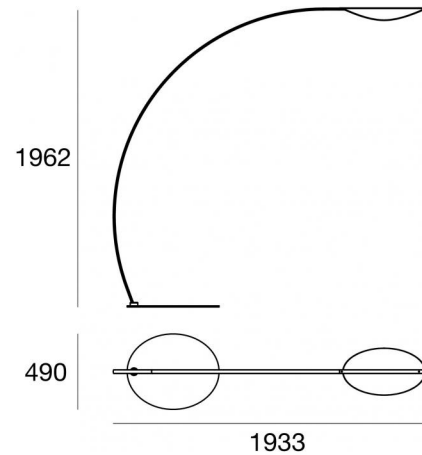
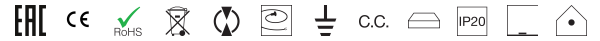




Floor Lamp | 220-240 V
200 topLED 25 W DC - 30 W AC | CRI 90
8165



Technical data	
Construction year	2016
Type	Floor Lamp
Installation position	Floor
Installation environment	Indoor
Light Source	LED
Optics	General Lighting
Light emission direction	downward and upward
Power	25 W
Source lumens	3294 lm
Frequency	60 - 50 Hz
CCT / Tone	3000 K
Colour rendering index	90 Ra
C.C. / C.V.	AC
Safety class	1
IP	IP20
Optical compartment IP	IP40
Glow wire test	650°
Direct mounting on normally flammable surfaces	Yes
CE	Yes
Driver included	Driver
Dimmable article	PUSH DIM
Directional	No
Tilting	No
Walk-over	No
Drive-over	No
Cable included	Yes
Cable length	2.5 m
Electric socket	Type F+E
Resin potting	No
Type of light emission	Double emission
Electrostatic discharge protection	No
Surge protection	No

Finishing casing

Material	Aluminium
Colour	white
Processing	Coating

Finishing diffuser

Material	PMMA
Colour	transparent
Processing	Laser engravings

Finishing mounting frame

Material	Iron
Colour	white
Processing	Coating

Floor Lamp | 220-240 V | 200 topLED 25 W DC - 30 W AC | CRI 90 | Base 8165

Double emission floor lamp for indoor application. The warm white LED light source with a general lighting light distribution is composed of 200 topped LEDs with CCT of 3000 K and a CRI 90; the source luminous flux is 3294 lm, with a 131.8 lm/W nominal luminous efficacy.

The device body is made of aluminium and features a white finish, processed by means of coating; the diffuser is made of pmma with a laser engravings treatment; the mounting frame is made of iron, with a white finish, processed by means of coating. The ingress protection degree is IP20;

The total absorbed power is 25 W. The power supply cable is included and features a 2.5 m length.

The device features protection class I and can be floor-mounted.

Compliant with the EN 60598-1 standard and its specific provisions.

Illuminotechnical Features	
Light Output Ratio (LOR)	75 %
Source lumens	3294 lm
Delivered lumens	2489 lm
Consumption	30 W
Luminaire efficacy	82 lm/W
Colour temperature	3000 K
Standard Deviation of Colour Matching	3 Step MacAdam
Colour rendering index	90 Ra
Junction temperature (lighting fixture)	80
Standard Operating Ambient Temperature	25
LED Life / Failure Ratio	
L80 B20 C0 80000h	
OPTICAL	
Light distribution simmetry	Symmetrical 2
C0/C180 optics	180°

