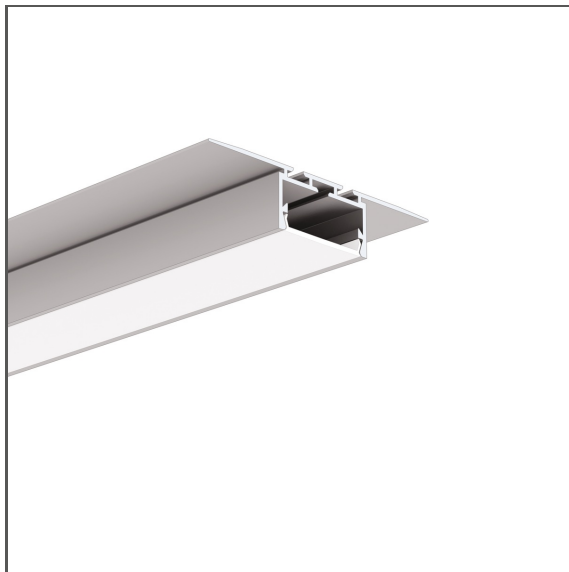
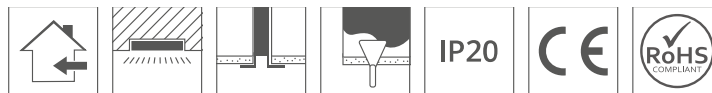
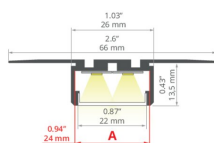


Profile GIZA-LL-T

Ref. C2479



TECHNICAL DRAWING



- Mounting to 12,5 mm - 0.49" drywall
- No collision with the ceiling structure
- Stable mounting to a suspended ceiling
- Non visible aluminum elements

APPLICATION

- main, decorative and functional lighting


MOUNTING

- in drywall, with screws
- can be easily connected into runs and systems

ADDITIONAL INFORMATION

- smooth transition from a recessed into a suspended fixture
- in order to protect the lighting fixture during installation, a TECH-22 protective insert should be used
- standard lengths of KLUŚ profiles and covers: 1000 mm (tolerance ± 1.5 mm) and 2005 mm / 3010 mm (tolerance + 5 mm); for selected covers: 6050 mm, 10050 mm (tolerance + 5 mm)
- when choosing a different length of profiles / covers than available in the standard, you should additionally choose the cutting service at KLUŚ

TECHNICAL SPECIFICATIONS

Material	aluminum	Length		Ref	
Color	 silver non anodized	1000 mm			C2479NA_1
Possible fixture IP	20	2005 mm			C2479NA_2
Possible fixture shapes	polygonal	3010 mm			C2479NA_3
Width	66 mm				
LED gluing width A	24 mm				
Number of LED strips A (8 mm wide)	3				
Possibility of obtaining a line of light	yes				
The cover is cut to the length of the profile	yes				

Profile GIZA-LL-T

Ref. C2479

Can be easily connected into runs	yes
Main lighting	yes
Decorative lighting	yes
Functional lighting	yes
Mounting to drywall	yes
To cover with plaster	yes
Wire out back of extrusion	yes

SAMPLE PROJECTS



RELATED PROFILES






















GIZA-LL
C0758





Profile GIZA-LL-T

Ref. C2479

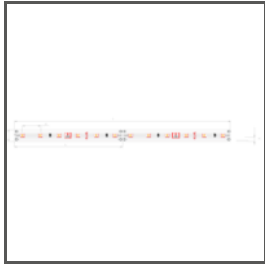
COVERS

NAME	MATERIAL	MATERIAL TRANSMITTANCE	COLOR	REF.	
DILENSO		PC	56 %	 clear	17173
			47 %	 frosted	00413
			69 %		17010
G-L		PMMA	95 %	 clear	17006
			85 %	 semi-transparent	17008
			30 %	 black	17012
G-K		PMMA	72 %	 frosted	17013
			88 %	 semi-transparent	00415
			24 %	 black	17014
HS-22		PC	73 %	 frosted	17011
			94 %	 clear	17022
LIGER-22		PC	62 %	 frosted	17032V1
			39 %	 black	17087
MUN-22		PC	86 %	 semi-transparent	17042

END CAPS

NAME	MATERIAL	COLOR	REF.
GIZA-LL		 gray	24281
		 white	24398
		 black	24383

LED



K-1210-24V
K-1210-24V



K-1220-12V
K-1220-12V



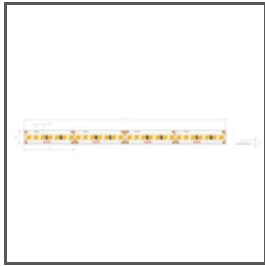
K-1220-24V
K-1220-24V



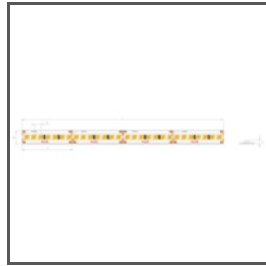
K-1275-12V
K-1275-12V



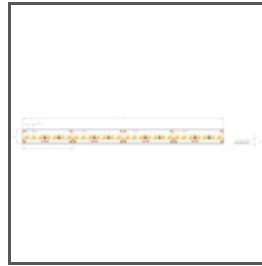
K-1275-24V
K-1275-24V



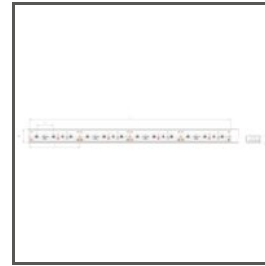
K-1820-HD-24V
K-1820-HD-24V



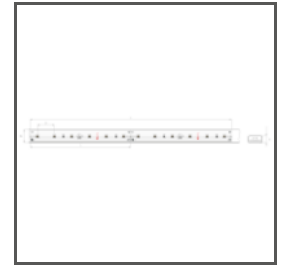
K-1910-HD-24V
K-1910-HD-24V



WP-K-1640-HD-IP65-24V
WP-K-1640-HD-IP65-24V



WP-K-1210-12V
WP-K-1210-12V



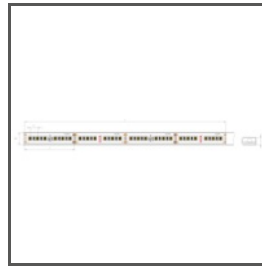
WP-K-1210-24V
WP-K-1210-24V



WP-K-1220-12V
WP-K-1220-12V



WP-K-1220-24V
WP-K-1220-24V



WP-K-1275-24V
WP-K-1275-24V



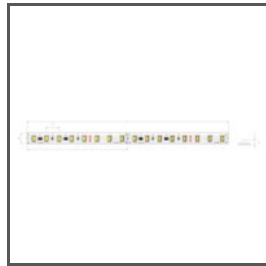
WP-K-1910-HD-IP65-24V
WP-K-1910HDIP6524V



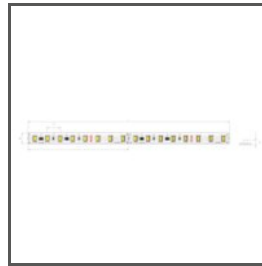
WP-K-1220-IP65-12V
WP-K-1220-IP65-12V



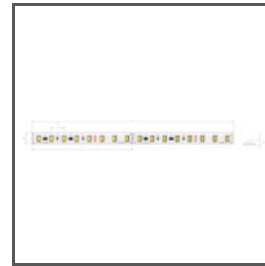
WP-K-1220-IP65-24V
WP-K-1220-IP65-24V



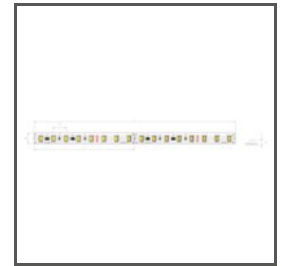
K-HE-0480-HD-24V
K-HE-0480-HD-24V



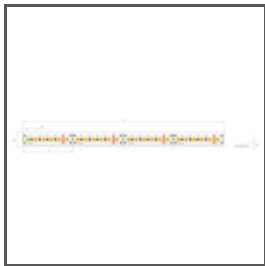
K-HE-0960-HD-24V
K-HE-0960-HD-24V



K-HE-1440-HD-24V
K-HE-1440-HD-24V



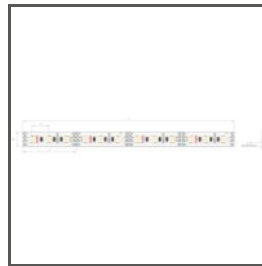
K-HE-1920-HD-24V
K-HE-1920-HD-24V



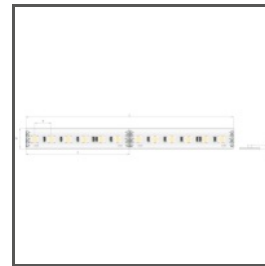
K-LR-1000-24V
K-LR-1000-24V



WP-K-CR-1210-24V
WP-K-CR-1210-24V



K-1275-RGB-12V
K-1275-RGB-12V



K-1920-RGB+W-24V
K-1920-RGB+W-24V



WP-K-1275-RGB-12V
WP-K-1275-RGB-12V

Profile GIZA-LL-T

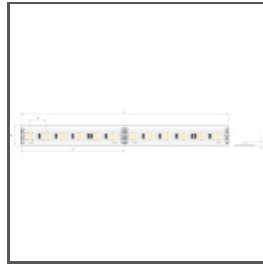
Ref. C2479



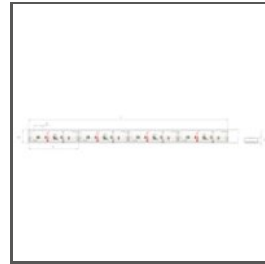
K-1530-RGB+W-24V
K-1530-RGB+W-24V



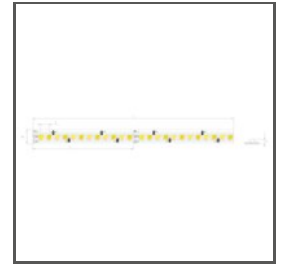
WP-K-1530-RGB+W-24V
WP-K-1530-RGB+W-24V



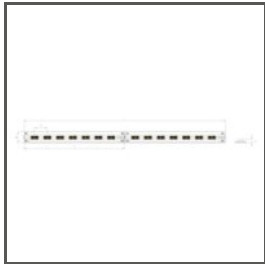
K-1920-120-RGB-24V
K-1920-120-RGB-24V



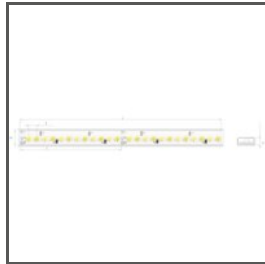
WP-K-1920-120-RGB-24V
WP-K-1920-120-RGB-24V



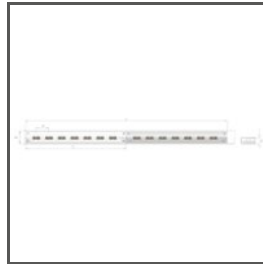
K-22/50-1728-24V
K-22/50-1728-24V



K-30/18-1770-24V
K-30/18-1770-24V



WP-K-22/50-1728-24V
WP-K-22/50-1728-24V

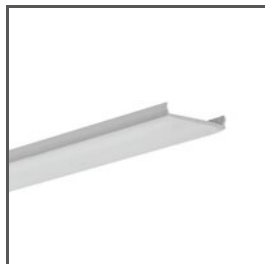


WP-K-30/18-1770-24V
WP-K-30/18-1770-24V

OTHER ACCESSORIES



MASKING COVER
MP-22
17167, 17167L9010,
17167L9005



PROTECTIVE INSERT
TECH-22
17124



CONNECTOR
ZM-NA-90
42723



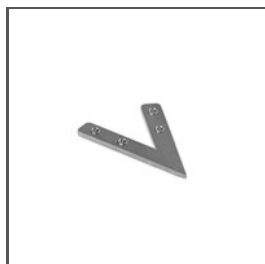
CONNECTOR
ZM-NA-135
42725



CONNECTOR
ZM-NA-PION-135
42727



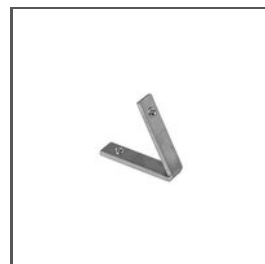
CONNECTOR
ZM-NA-PION-90
42726



CONNECTOR
ZM-NA-45
42339



CONNECTOR
ZM-NA-PION-120
42321



CONNECTOR
ZM-NA-PION-60
42317



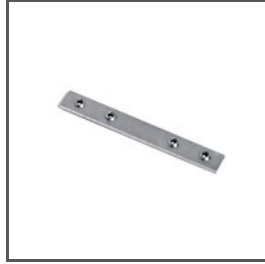
CONNECTOR
ZM-NA-PION-45
42315

Profile GIZA-LL-T

Ref. C2479



CONNECTOR
ZM-NA-60
42305



CONNECTOR
ZM-NA-180
42724



FASTENER
OS22-LIN-Z
42341L9005, 42341L9010



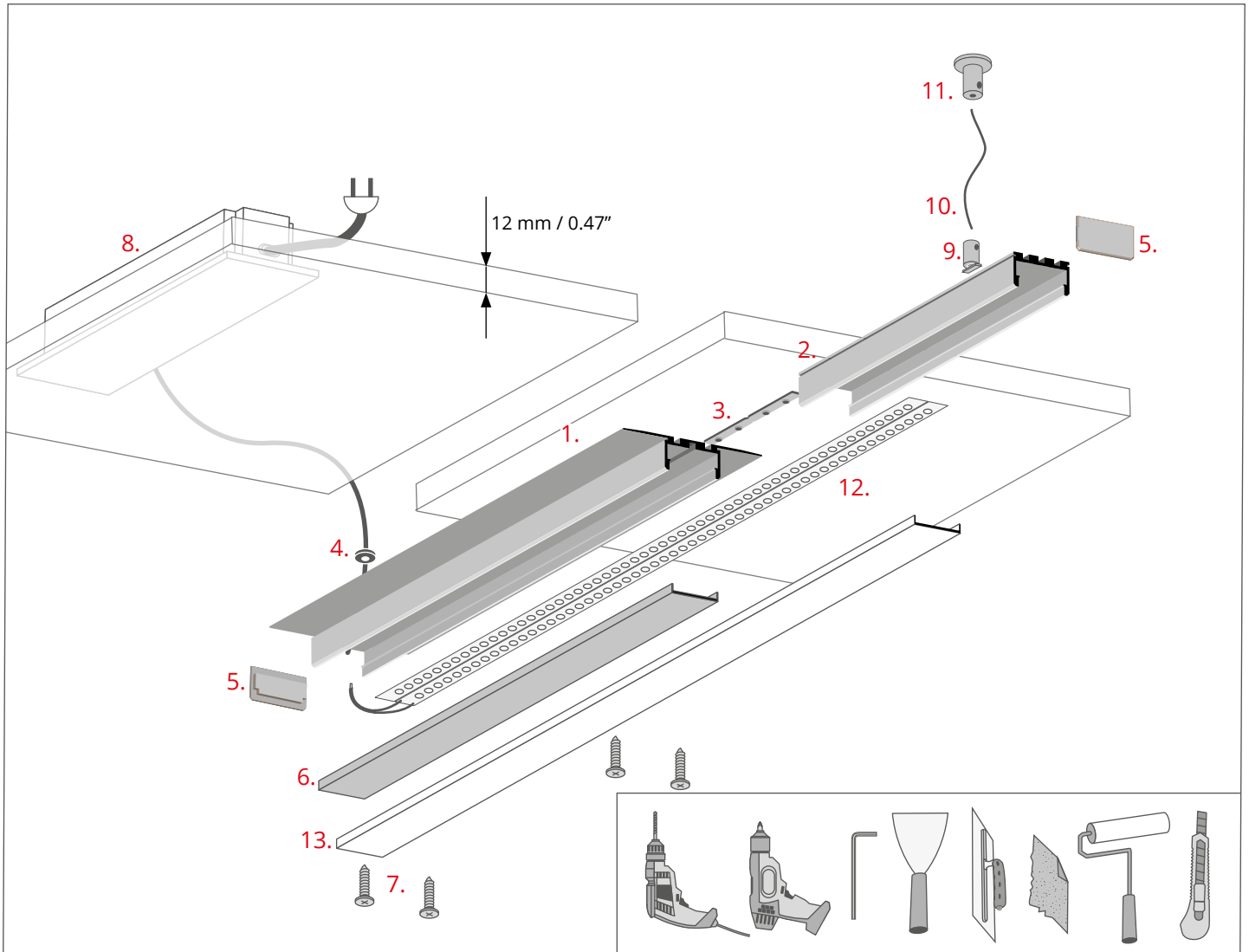
FASTENER
OS22-PRET-Z
42344L9005, 42344L9010



FASTENER
OS22-DUO-LIN-Z
42340L9005, 42340L9010



FASTENER
OS22-DUO-PRET-Z
42343L9005, 42343L9010



- 1. GIZA-LL-T profile (Ref. C2479)
- 2. GIZA-LL profile (Ref. C0758)
- 3. Connector*
- 4. Gland*
- 5. End cap*
- 6. Protective insert*
- 7. Drywall screw
- 8. Power supply (12 V / 24 V)*
- 9. Fastener*
- 10. Steel wire*

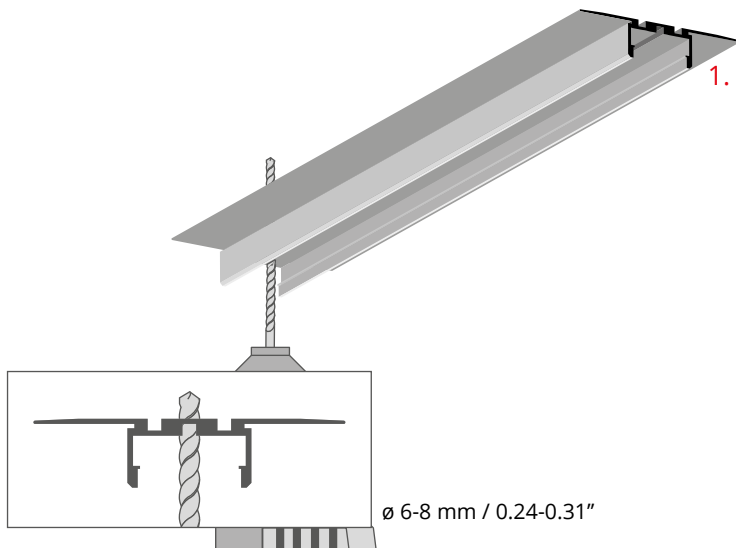
- 11. Ceiling fastener*
- 12. LED tape*
- 13. Cover*

*The full range of accessories and electronics is available at www.KlusDesign.eu

NOTE! All LED tapes must be connected to a 12 V or 24 V power supply.

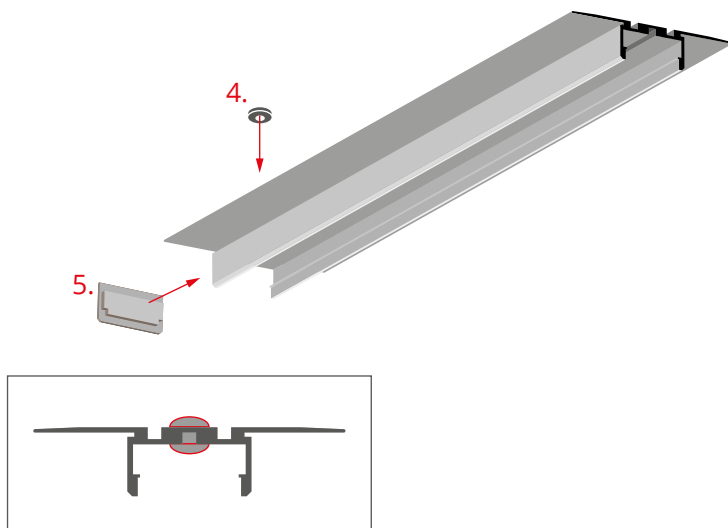
IMPORTANT: Not all possible mounting procedures are presented here. More mounting procedures and related accessories can be found at www.KlusDesign.eu. Drawings of extrusions and accessories in these instructions are simplified and only approximate the actual shapes.

Ia



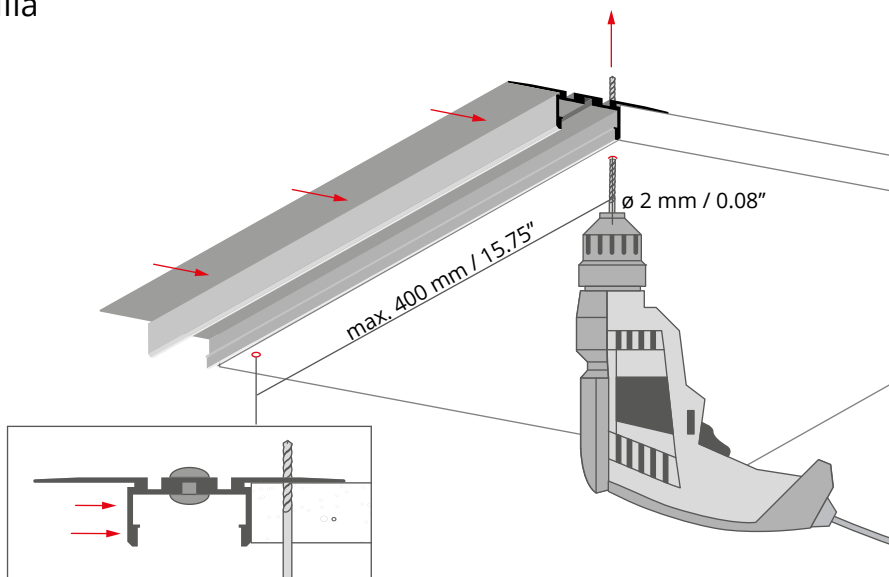
Drill a hole for the power cable in the GIZA-LL-T (1) profile.

Ila



Attach the end cap (5) to the profile and install the gland (4) in the pre-drilled hole.

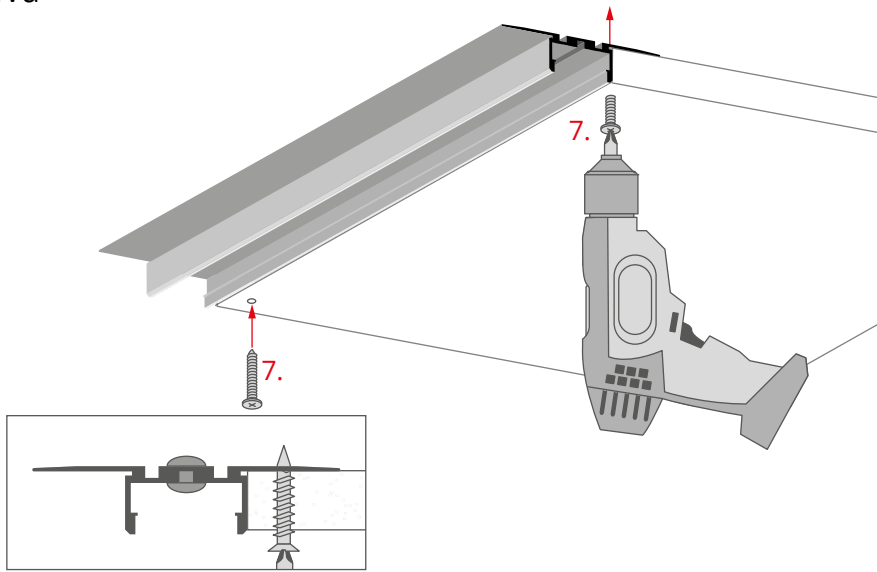
IIla



Place the profile on the edge of the drywall board and drill holes through the board and the profile's flange.

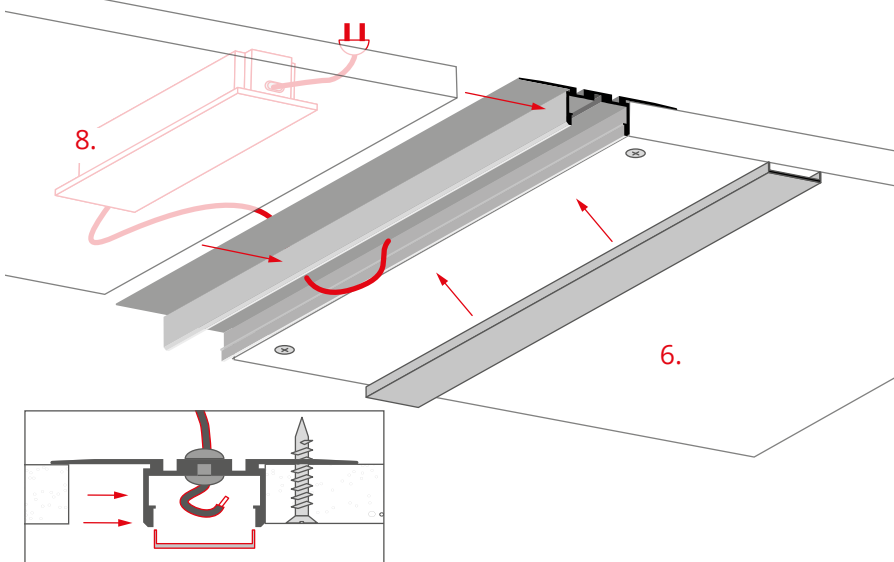
The maximum distance between the holes is 400 mm / 15.75\".

IVa



Insert the drywall screws (7) in the pre-drilled holes and screw the profile flange to the board.

Va

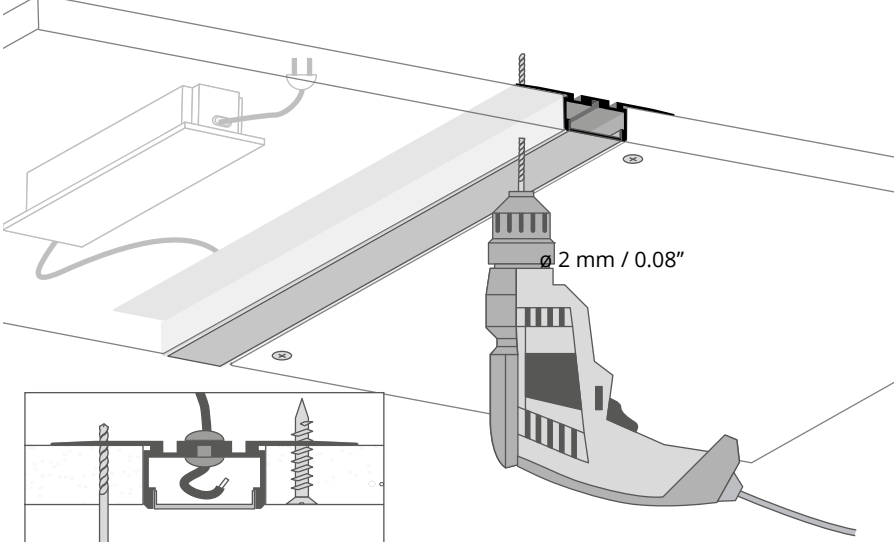


Route the cable from the power supply (8) through the gland.

Install the protective insert (6) in the profile.

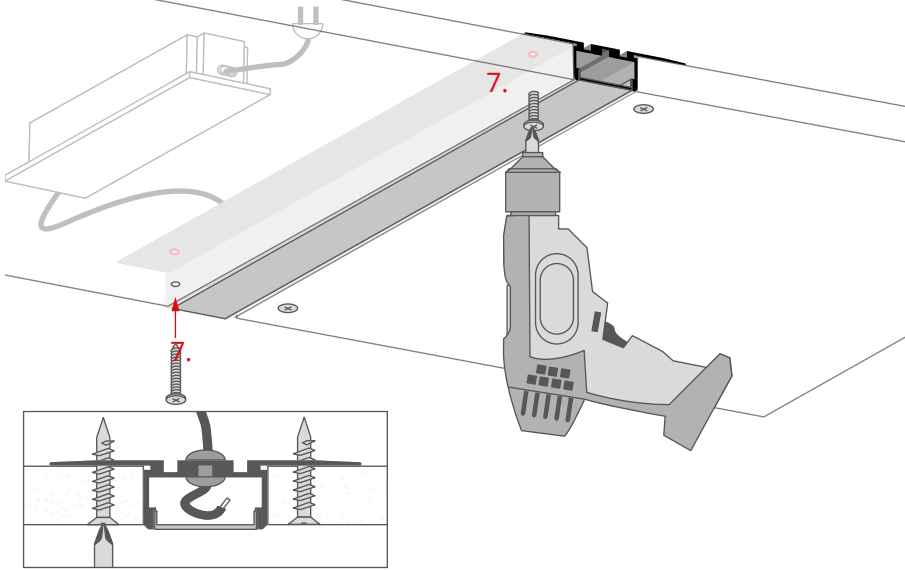
Mount the second board.

VIa



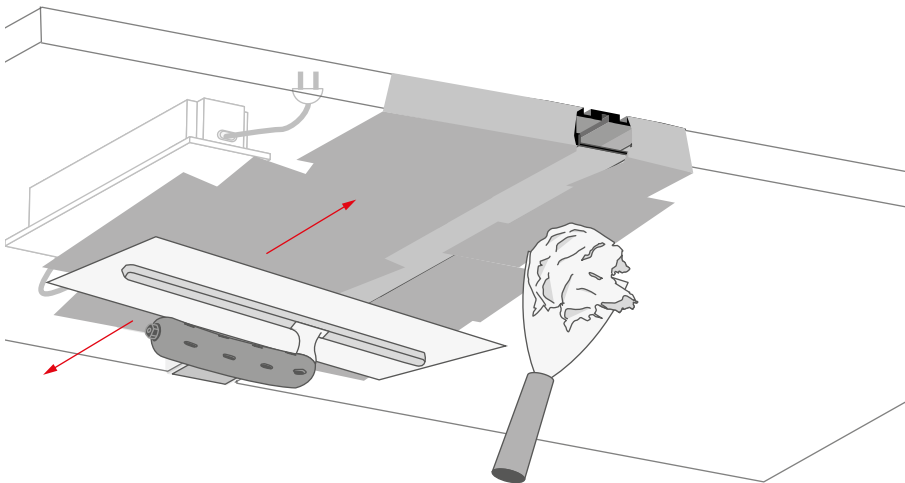
Drill holes in the second board and the profile's flange.

VIIa



Insert the drywall screws (7) in the newly drilled holes and screw the second flange of the profile to the board.

VIIIa

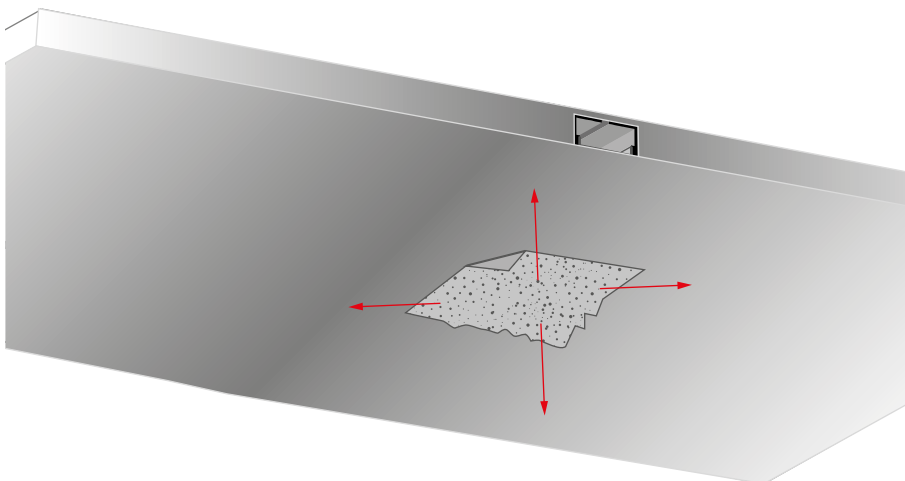


Apply plaster.

The protective insert keeps the inside of the profile clean.

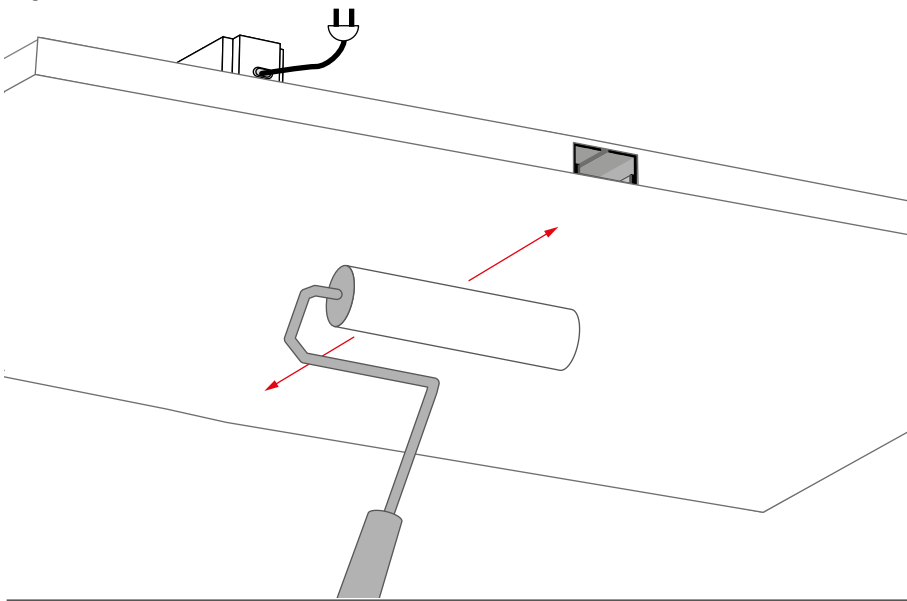
Make the surface even.

IXa



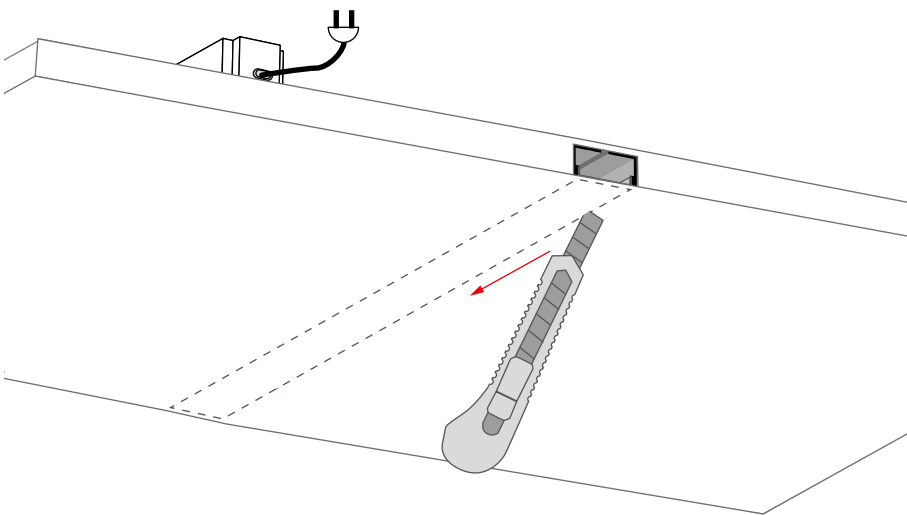
After the plaster has dried, sand the surface with sandpaper.

Xa



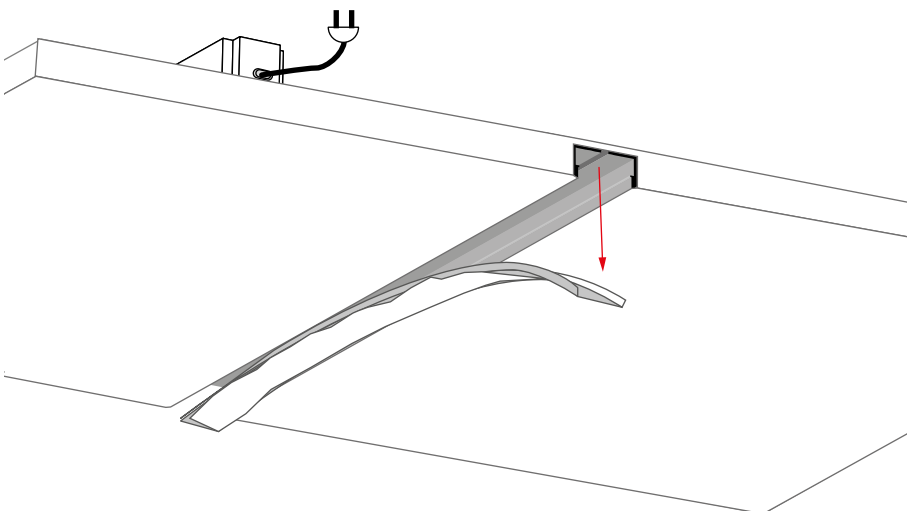
Paint the surface.

XIa



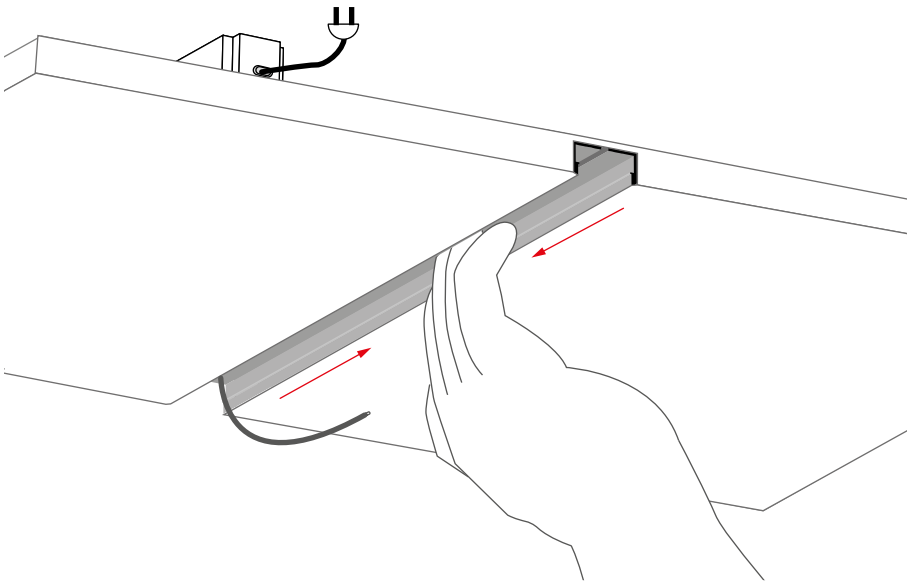
Cut layers of paint and plaster at the junction of the aluminum edge of the profile and the protective insert.

XIIa



Gently remove the protective insert.

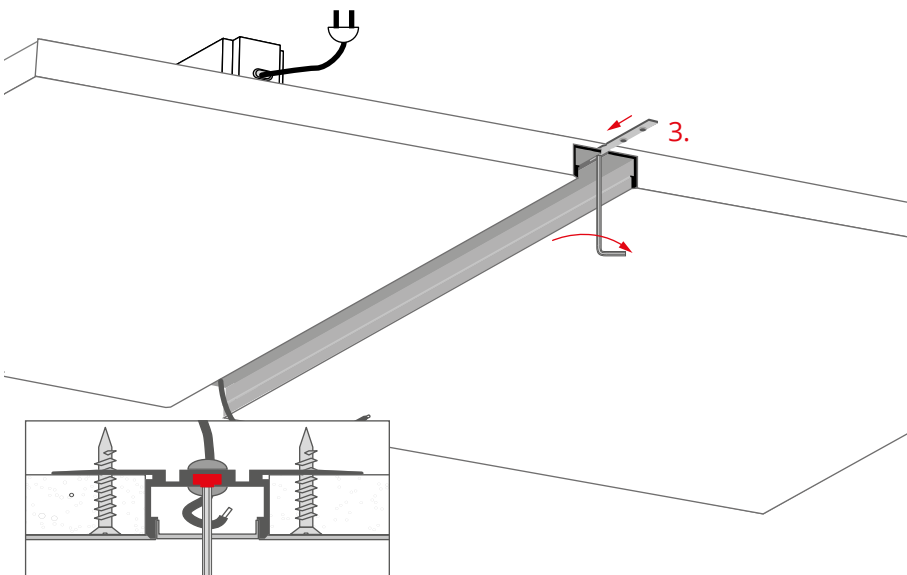
XIIIa



Smooth the edges of the profile.

Allow the power cable to extend from inside the profile.

XIVa

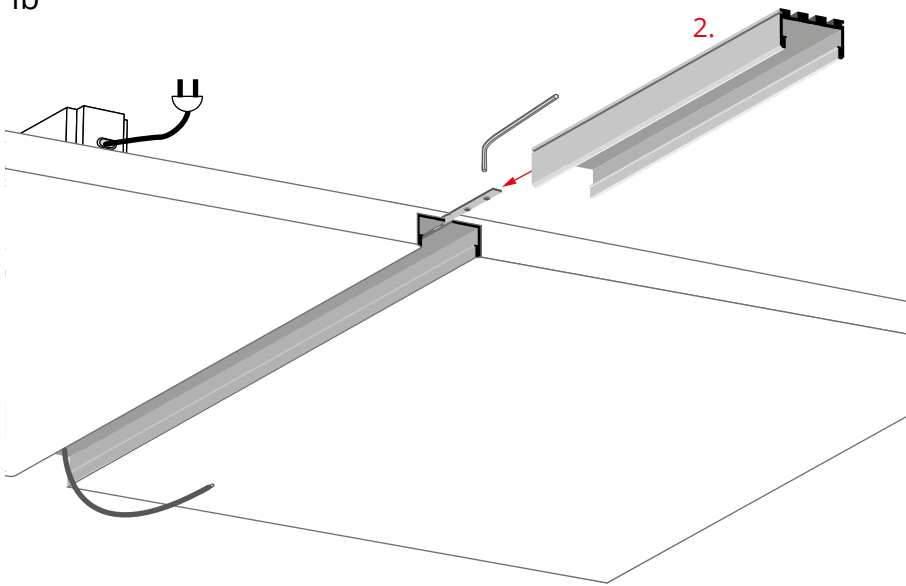


Insert the connector (3) into the channel inside the profile and tighten the locking bolts with an Allen key.

GIZA-LL-T and GIZA-LL mounting instructions

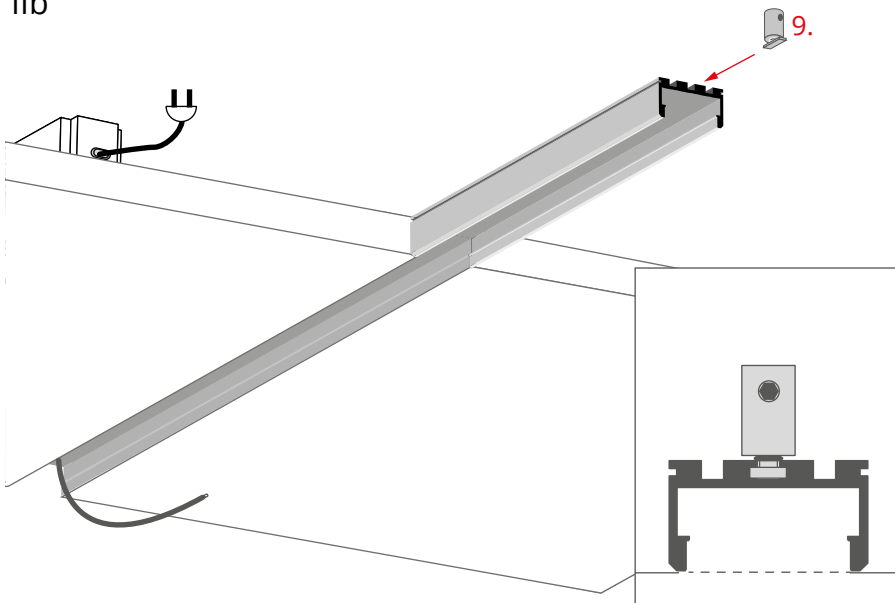
b) Mounting the GIZA-LL profile as an extension of the lighting fixture

Ib



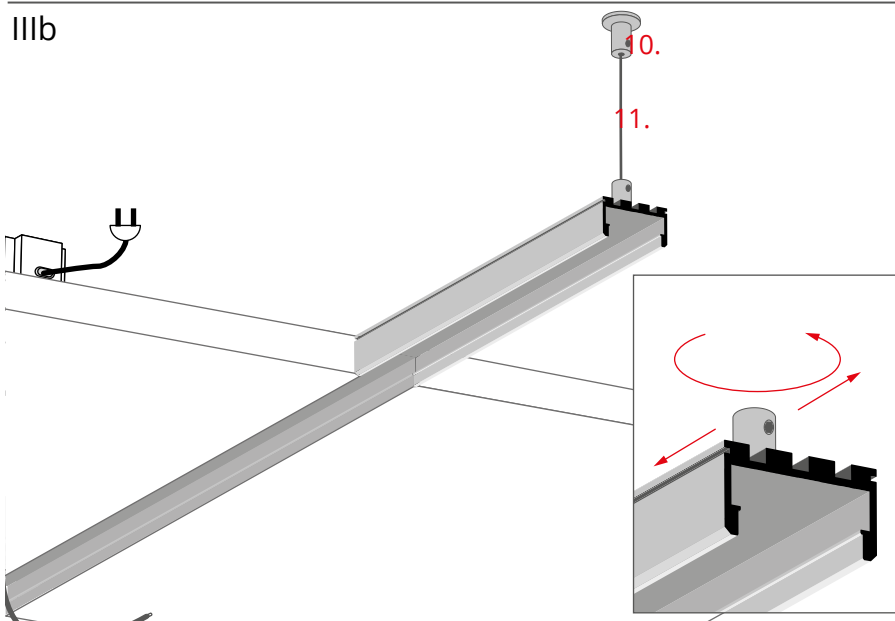
Slide the internal channel of the GIZA-LL profile (2) onto the protruding part of the connector. Finally tighten the connector screws with the Allen key.

IIb



Insert the fastener (9) into the top channel of the profile.

IIIb



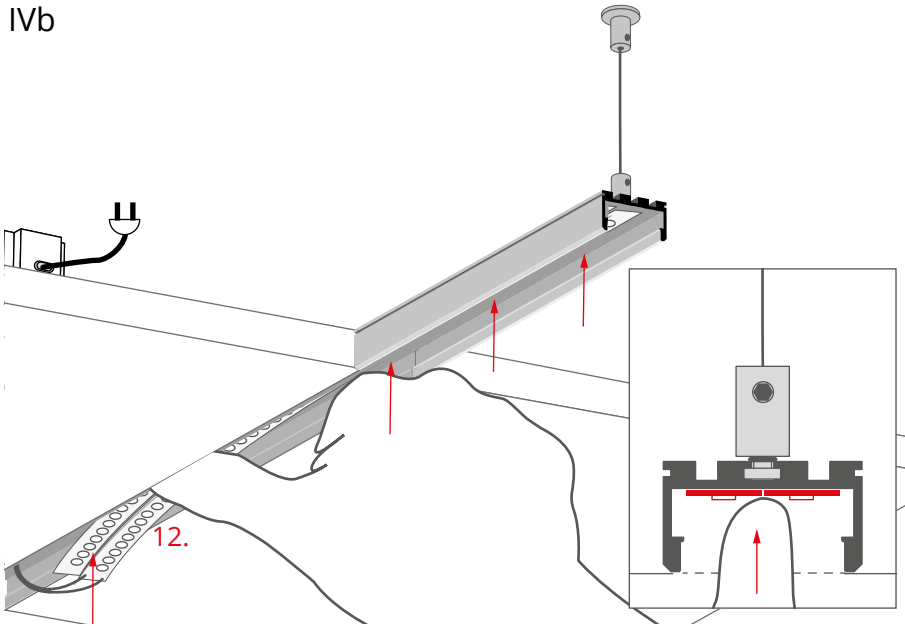
Connect the ceiling fastener (10) and the profile fastener with the wire (11).

(For more information on suspension systems, please visit our website).

GIZA-LL-T and GIZA-LL mounting instructions

b) Mounting the GIZA-LL profile as an extension of the lighting fixture

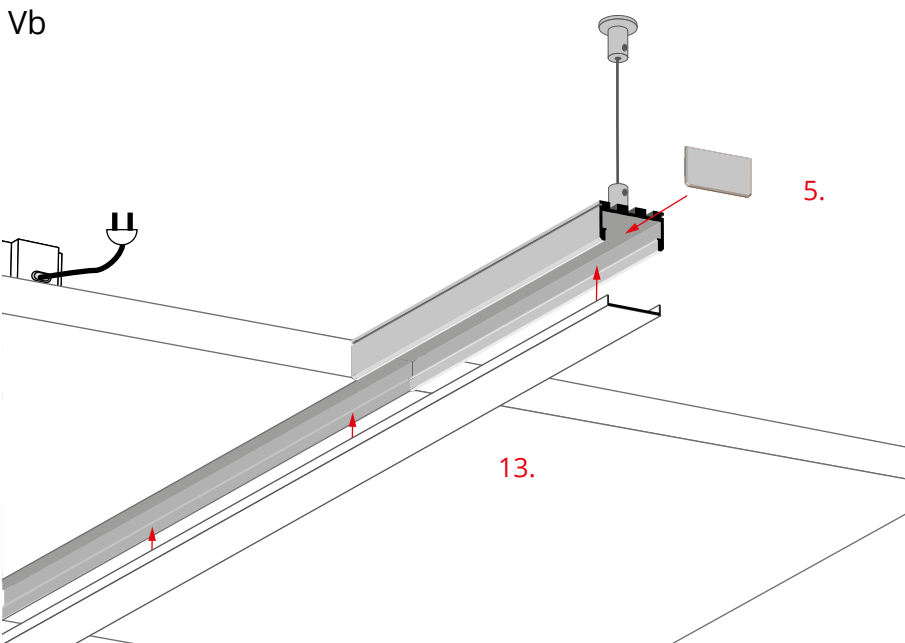
IVb



Connect the LED tapes to the power supply.

Insert the LED tape (12) in the profile.

Vb



Attach the end cap (5) and the cover (13).