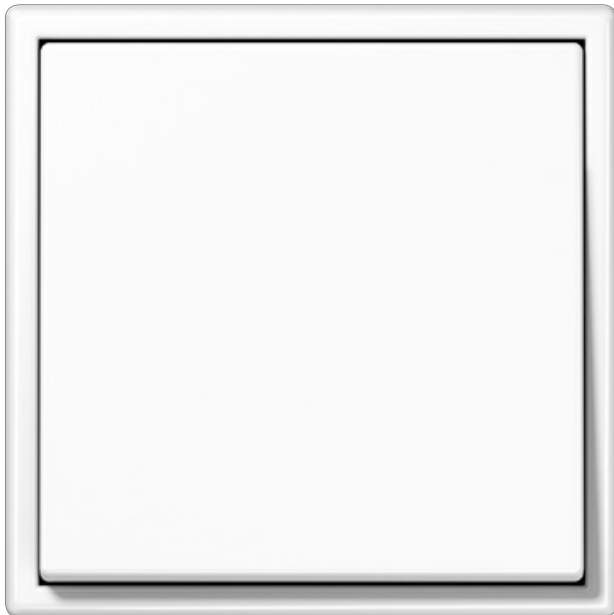


1:1



Flush-mounted range

Material

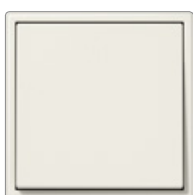
Duroplastic

Protection IP 44

Protection level IP 44 is ensured with sealing gasket ref.-no. 551 WU and „IP 44 frame“ of the respective design range.

Compatible with all covers of the range LS

The individual laser or colour printing of JUNG products is possible using the Graphic Tool. The labelling method depends on the material and colour of the cover. Read more at www.jung.de/gt.



ivory
similar RAL 1013



white
similar RAL 9010



light grey
similar RAL 7035

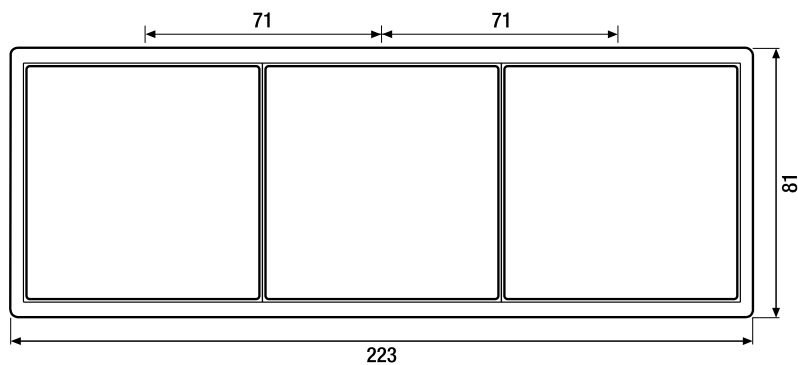
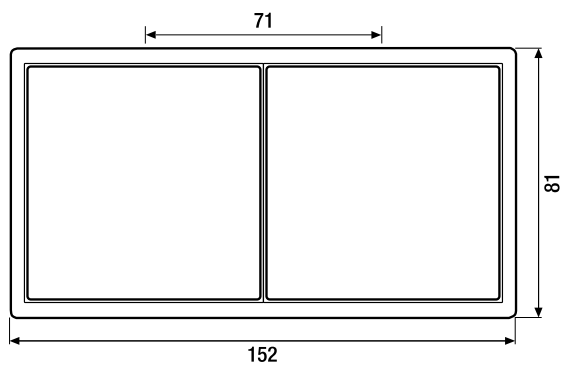
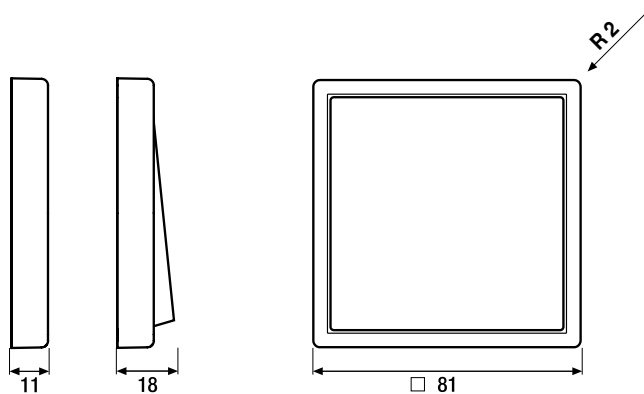
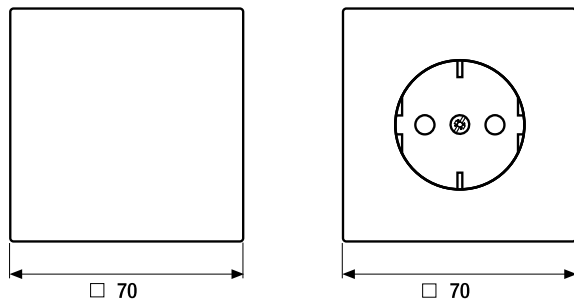


black
similar RAL 9005

Selected devices are available in the colours

green similar RAL 6029
orange similar RAL 2004

LS 990 in plastic



Frame size

- 1-gang 81 mm x 81 mm
- 2-gang 152 mm x 81 mm
- 3-gang 223 mm x 81 mm
- 4-gang 294 mm x 81 mm
- 5-gang 365 mm x 81 mm

Frames can be installed horizontally and vertically.

Corner radius of frames R 2