

1:1



**Flush-mounted range**

**Material**

Duroplastic, Thermoplastic

**Metal/Colours**

Aluminium: AlMg1

Natural tone, matt finished

Stainless steel: 1.4303 X4 CrNi 18-12  
shot-blasted with glass beads

Anthracite: lacquered aluminium

Dark: aluminium lacquered

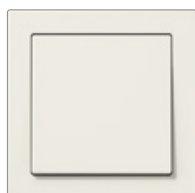
Chrome: metal chrome-plated

Brass: CuZn37

Compatible with all covers of the  
range LS

The individual laser or colour printing  
of JUNG products is possible using  
the Graphic Tool. The labelling method  
depends on the material and colour of  
the cover. Read more at [www.jung.de/gt](http://www.jung.de/gt).

**Plastic**



ivory  
similar RAL 1013



white  
similar RAL 9010



light grey  
similar RAL 7035



black  
similar RAL 9005

**Metall**



Aluminium



Anthracite  
aluminium lacquered



Dark  
aluminium lacquered



Stainless Steel



Chrome  
metal chrome-plated

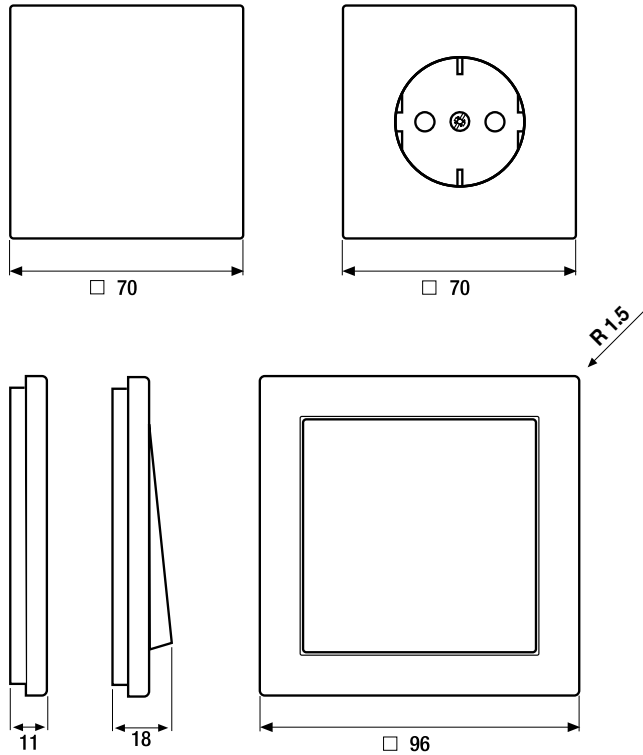


Classic brass



Antique brass

LS Design



**Frame size**

- 1-gang 96 mm x 96 mm
- 2-gang 167 mm x 96 mm
- 3-gang 238 mm x 96 mm

**Duroplastic**

- 4-gang 309 mm x 96 mm
- 5-gang 380 mm x 96 mm

Frames can be installed horizontally and vertically.

**Corner radius** of frames R 1.5

