

1:1



Flush-mounted range

Material

Glass: safety glass

Aluminium: AlMg Si 05, surface E1 EV1 anodised

Stainless steel: 1.4301 X5 CrNi 18-10, shot-blasted with glass beads

Chrome-Aluminium: AlMg Si 05, surface high gloss chrome-planted

Compatible with all covers of the range LS

The individual laser or colour printing of JUNG products is possible using the Graphic Tool. The labelling method depends on the material and colour of the cover. Read more at www.jung.de/gt.

Glass



black



white



soft white

Metall



Aluminium

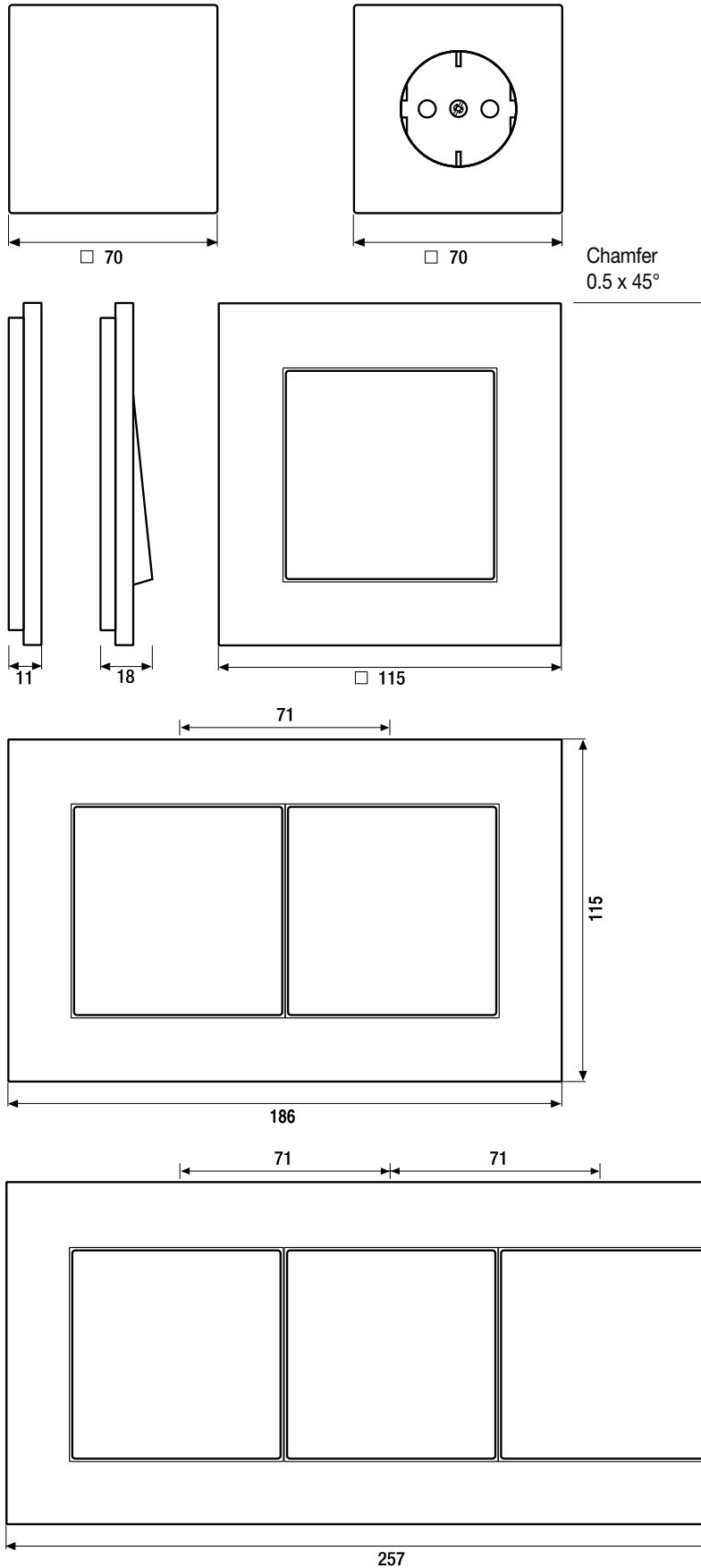


Stainless Steel



Chrome

LS plus



Frame size

1-gang 115 mm x 115 mm

2-gang 186 mm x 115 mm

3-gang 257 mm x 115 mm

4-gang 328 mm x 115 mm

5-gang 399 mm x 115 mm

Frames can be installed horizontally and vertically.

Corner radius of frames, chamfer $0.5 \times 45^\circ$