

theRonda S360-100 AP WH

Item no.: 2080550

Presence and motion detectors
Ceiling installation indoor

Description

- Passive infra-red presence detector for ceiling installation
- Circular detection area 360°, up to Ø 8 m (50 m²) at mounting height 3 m
- 1 channel light (Relay, 230 V)
- Automatic motion and brightness-dependent control for lighting
- Mixed light measurement suitable for fluorescent lamps (FL/PL/ESL), halogen/incandescent lamps and LEDs
- Operation as fully automatic device
- Brightness switching value configurable, teach-in function
- Pulse function for staircase light time switch
- Time delay configurable
- Detection sensitivity configurable
- Test mode for checking function and detection area
- Ready for immediate use due to factory presetting (Brightness switching value 300 lux, Time delay 10 min.)
- One of these optional remote controls is required for changing the values and attitudes:
 - Management remote control SendaPro
 - Installation remote control theSenda P
 - Optional user remote control: theSenda S



Technical data

theRonda S360-100 AP WH	
Operating voltage	230 V AC
Frequency	50 Hz

theRonda S360-100 AP WH	
Installation height	2 - 4 m
Minimum height	1.7 m

Subject to technical changes and misprints

additional information at: www.theben.de/product/2080550

The load data are determined with exemplary selected illuminants and are therefore typical data due to the large number of available products.

theRonda S360-100 AP WH

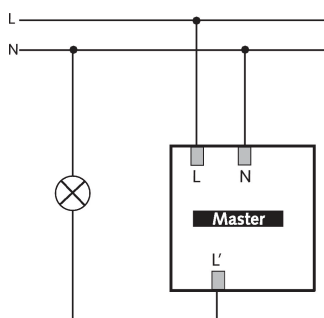
Item no.: 2080550



Technical data

theRonda S360-100 AP WH		theRonda S360-100 AP WH	
Installation type	Surface mounted	LED lamp < 2 W	25 W
Colour	White	LED lamp 2-8 W	250 W
Switching output	Light	LED lamp > 8 W	250 W
Light measurement	Mixed light measurement	Type of connection	Screw terminals
Setting range brightness	30 - 3000 lx	Max. cable cross section	max. 2 x 2,5 mm ²
Light switch-off delay	10 s - 60 min	Size of concealed housing	55 mm
Lamp types	Incandescent/halogen lamps, fluorescent lamps, Energy saving lamps, LEDs	Detection range	50 m ² (ø 8 m 360°)
Incandescent/halogen lamp load	2300 W	Detection angle	360°
Inrush current	max. 400 A / 200 µs	Ambient temperature	-15°C ... 50°C
		Type of protection	IP 54 (when fitted)

Connection example



Detection range for planning applications at a temperature of 21 °C

Mounting height (A)	Sitting (S)	Diagonally (T)	Head on to (R)
2 m	5 m ² 2.5 m	38 m ² 7 m	5 m ² 2,5 m
2.5 m	7 m ² 3 m	38 m ² 7 m	7 m ² 3 m
3 m	13 m ² 4 m	50 m ² 8 m	13 m ² 4 m
3.5 m		50 m ² 8 m	13 m ² 4 m
4 m		64 m ² 9 m	13 m ² 4 m

Subject to technical changes and misprints

additional information at: www.theben.de/product/2080550

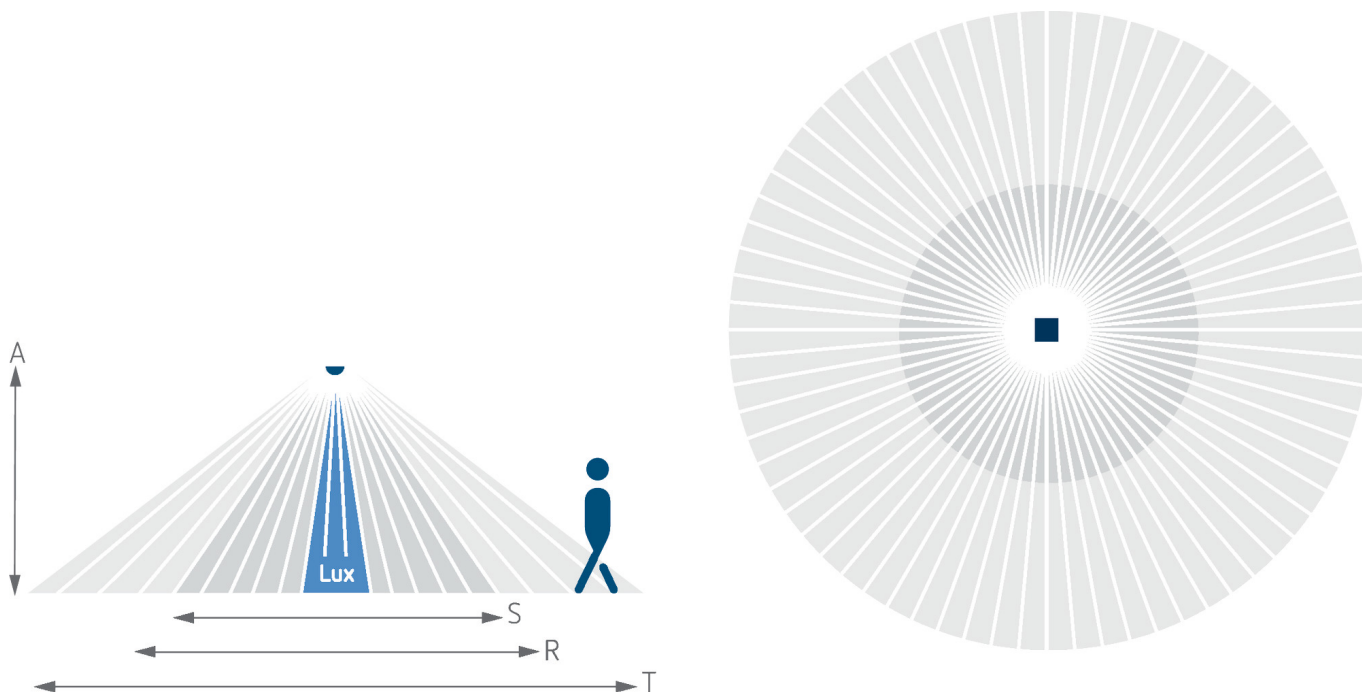
The load data are determined with exemplary selected illuminants and are therefore typical data due to the large number of available products.

theRonda S360-100 AP WH

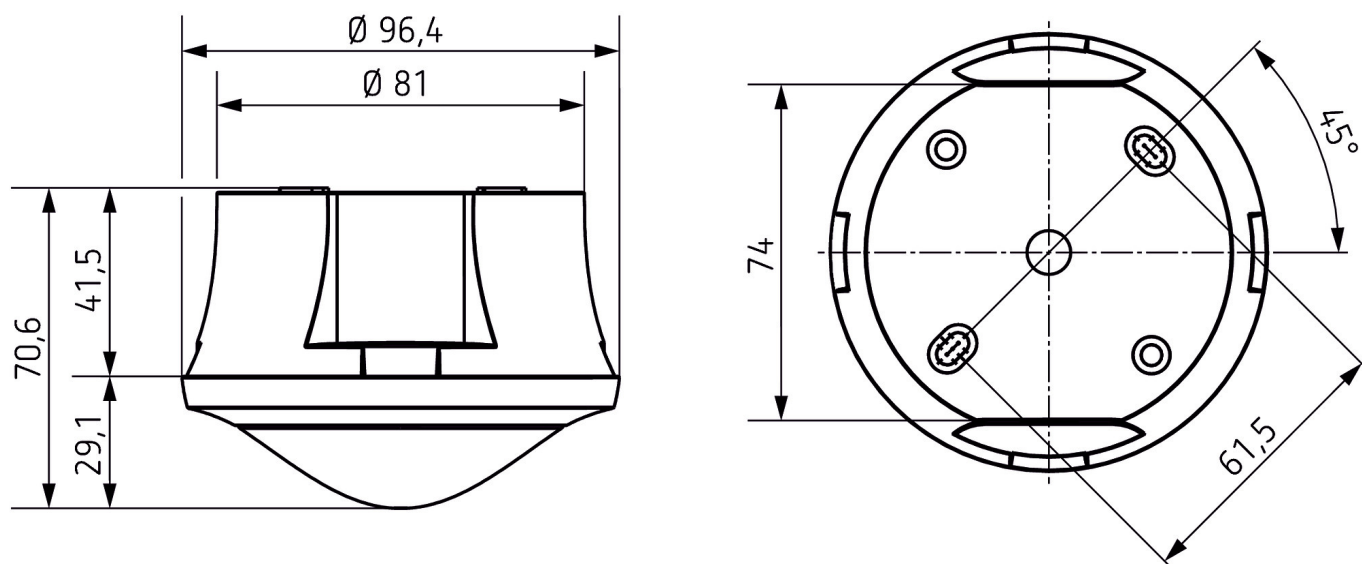
Item no.: 2080550

theben

Detection range for planning applications at a temperature of 21 °C



Scale drawings



Subject to technical changes and misprints

additional information at: www.theben.de/product/2080550

The load data are determined with exemplary selected illuminants and are therefore typical data due to the large number of available products.

15/06/2025

Page 3 of 4

theRonda S360-100 AP WH

Item no.: 2080550

theben

Accessories

theSenda P

Item no.: 9070910



theSenda S

Item no.: 9070911



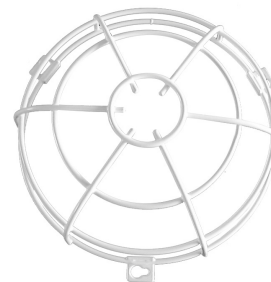
theSenda B

Item no.: 9070985



QuickSafe

Item no.: 9070531



Subject to technical changes and misprints

additional information at: www.theben.de/product/2080550

The load data are determined with exemplary selected illuminants and are therefore typical data due to the large number of available products.