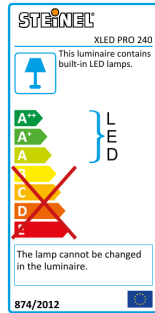


Sensor-switched LED floodlight - Professional Line

XLED PRO 240

V2 warm white anthracite
EAN 4007841 068066
Article number 068066



LED

30 years (Ø 4,5h / day)

3000 K

3000K warm-white



infrared sensor 240°



max. 12 m



IP44



2 - 2000 lux



10 sec - 15 min



networkable via cable



energy saving

5 years

manufacturer's warranty
[steinel-professional.de/garantie](https://www.steinel.de/garantie)

Function description

Day-bright illumination throughout: the XLED PRO 240 sensor-switched outdoor floodlight. With fully swivelling LED flat panel and opal diffuser. 2120 lm, 3000 K, 20 W. With a 240° infrared sensor for reliable motion detection over a reach of up to 12 m. Includes corner wall mount.

XLED PRO 240

V2 warm white anthracite

EAN 4007841 068066

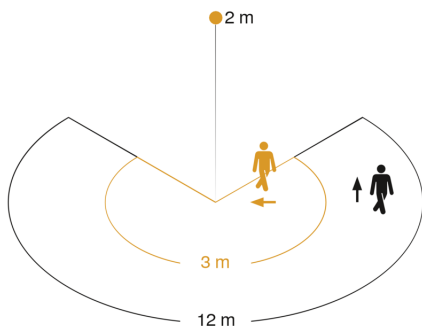
Article number 068066

Technical specifications

Dimensions (L x W x H)	161 x 180 x 221 mm
Mains power supply	220 – 240 V / 50 – 60 Hz
Mounting height max.	6,00 m
Sensor Technology	passive infrared
Output	20 W
Eigenverbrauch	0,55 W
Interconnection	Yes
Switching output 1, resistive	1000 W
Interconnection, number	maximum of 10 floodlights
Luminous flux	2120 lm
Colour temperature	3000 K
Colour variation LED	SDCM3
Colour Rendering Index CRI	80-89
With lamp	Yes, STEINEL LED system
Lamp	LED cannot be replaced
LED life expectancy (max. °C)	60000 h
Drop in luminous flux in accordance with LM80	L70B10
LED cooling system	HCMC (High Conductive Magnesium Composite)
With motion detector	Yes
Detection angle	240 °
Angle of aperture	180 °
Sneak-by guard	Yes

Capability of masking out individual segments	Yes
Reach, radial	r = 3 m (19 m ²)
Reach, tangential	r = 12 m (302 m ²)
Photo-cell controller	Yes
Twilight setting	2 – 2000 lx
Time setting	10 s – 15 Min.
Basic light level function	No
Main light adjustable	No
Settings via	Potentiometers
Soft light start	No
Continuous light	selectable
Impact resistance	IK03
IP-rating	IP44
Protection class	II
Ambient temperature	-20 – 40 °C
Housing material	HCMC
Cover material	Plastic, opal
Manufacturer's Warranty	5 years
Includes corner wall mount	Yes
PU1, net weight	0,64 kg
Version	warm white anthracite
PU1, EAN	4007841068066

Detection Zone

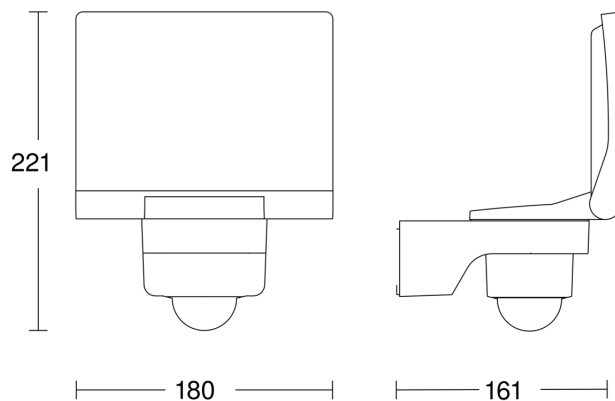


Mögliche Montagehöhe: 1,80 m – 6,00 m

Orange: radial

Schwarz: tangential

Dimension Drawing

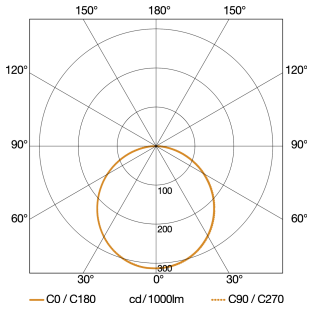


XLED PRO 240

V2 warm white anthracite
 EAN 4007841 068066
 Article number 068066

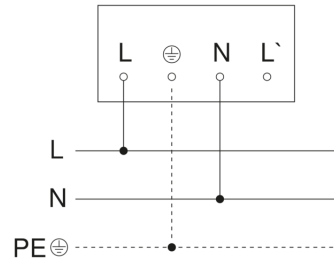


Light Distribution Curve

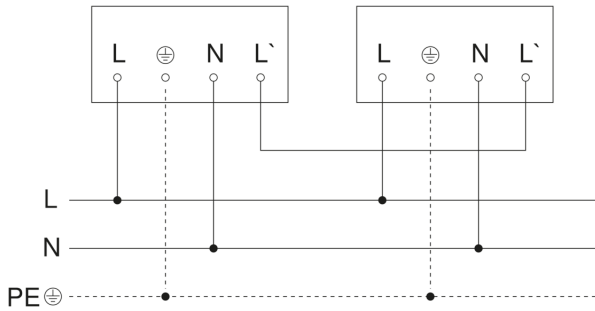


Output	20 W
With lamp	Yes, STEINEL LED system
Lamp	LED cannot be replaced
Luminous flux	2120 lm
Colour temperature	3000 K
Colour Rendering Index CRI	80-89
LED life expectancy (max. °C)	60000 h
LED cooling system	HCMC (High Conductive Magnesium Composite)

Master circuit diagram



Master/master interconnection circuit diagram



Master/slave interconnection circuit diagram

