

# Technical Data Sheet

CODE 11135

## MF 100/4" T LL

Wall axial fans



### Certifications



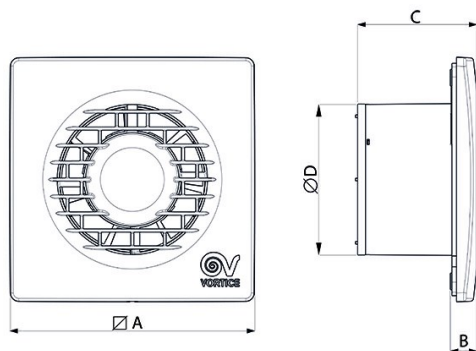
IMQ Performance



### TECHNICAL AND PERFORMANCE DATA

Absorbed Current max (A)	0,09	Weight (Kg)	0,52
Absorbed Power max (W)	15	Delivery max (l/s)	24
Frequency (Hz)	50	Delivery max (m <sup>3</sup> /h)	85
Insulation Class	II°	Pressure max (mmH2O)	3
IP	X4	Pressure max (Pa)	29
Max ambient temperature for continuous operation (°C)	50	RPM	2400
Voltage (V)	220-240	Sound Pressure level Lp [dB (A)] 3m	31

### DIMENSIONS



Etichetta Energetica	N0
Size A (mm)	159
Size B (mm)	17
Size C (mm)	77
Size D (mm)	98

#### PER INFORMAZIONI:

Servizio al Cliente: tel +39 02 90699395 premendo 1 dopo messaggio registrato (consulenza su prodotti e impianti)

Pre & Post Vendita: fax +39 02 90699302

Email prevendita: [prevendita@vortice-italy.com](mailto:prevendita@vortice-italy.com)

# Technical Data Sheet

CODE 11135

## MF 100/4" T LL

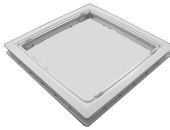
Wall axial fans



### DESCRIPTION

- Material: UV resistant plastic (prevents ageing caused by exposure to sunlight).
- Nominal diameter 100 mm.
- Motor protected against thermal overload, with shaft turning in ball bearings, coupled to screw type thermoplastic impeller with wing profile blades.
- Maximum air flow: 85 m<sup>3</sup>/h.
- Equipped with electronic timer designed to shut off the motor automatically after a set interval, selectable during installation in the range 3'-20' (default setting 3').
- Non-return damper fitted to outlet port.
- IMQ SAFETY and IMQ PERFORMANCE certifications.
- Vortice speed controller.

### ACCESSORIES



#### SF 90-100

Code 22162

#### PER INFORMAZIONI:

Servizio al Cliente: tel +39 02 90699395 premendo 1 dopo messaggio registrato (consulenza su prodotti e impianti)

Pre & Post Vendita: fax +39 02 90699302

Email prevendita: [prevendita@vortice-italy.com](mailto:prevendita@vortice-italy.com)