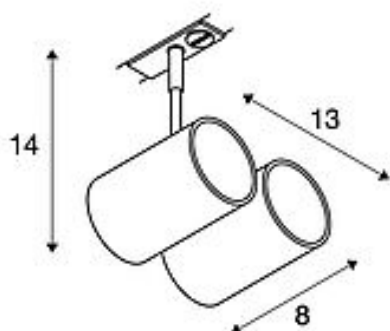


## BIMA 2

spot for 240V 1-phase track, double-headed, QPAR51, matt white, max. 50W, incl. 1-phase adapter



Article number	143431
Product family	Bima
Feed-in capability	No
LBS code	QPAR51
Lamp	QPAR51
Lampholder / Socket	GU10
Number of light sources	2
Lamp included	No
Tilt range	200 Degree
Rotation range	350 Degree
Length	8 cm
Height	14 cm
Diameter	6 cm
Net weight	0.506 kg
Gross weight	0.616 kg
Voltage	230V ~50Hz
Max. wattage	50 Watt
Protection class	II
Material	Aluminium
Colour	matt white
Way of mounting	Track mounting
Remark 1	Lamp head (Ø / H): 6 / 8 cm
Energy efficiency class	A++
Catalogue page	BIG WHITE 2018: 399

Articles of this series

143430	BIMA 2, spot for 240V 1-phase track, double-headed, QPAR51, matt black, max. 50W, incl. 1-phase adapter
143432	BIMA 2, spot for 240V 1-phase track, double-headed, QPAR51, silver-grey, max. 50W, incl. 1-phase adapter
143440	BIMA 1, spot for 240V 1-phase track, single-headed, QPAR51, matt black, max. 50W, incl. 1-phase adapter
143441	BIMA 1, spot for 240V 1-phase track, single-headed, QPAR51, matt white, max. 50W, incl. 1-phase adapter
143442	BIMA 1, spot for 240V 1-phase track, single-headed, QPAR51, silver-grey, max. 50W, incl. 1-phase adapter
146492	BIMA, display fitting, QPAR51, chrome, max. 35W
152230	BIMA 2, spot for 240V 3-phase track, double-headed, QPAR51, round, matt black, max. 100W, incl. 3-phase adapter
152231	BIMA 2, spot for 240V 3-phase track, double-headed, QPAR51, round, matt white, max. 100W, incl. 3-phase adapter
152232	BIMA 2, spot for 240V 3-phase track, double-headed, QPAR51, round, silver-grey max. 100W, incl. 3-phase adapter
152240	BIMA 1, spot for 240V 3-phase track, single-headed, QPAR51, round, matt black, max. 50W, incl. 3-phase adapter
152241	BIMA 1, spot for 240V 3-phase track, single-headed, QPAR51, round, matt white, max. 50W, incl. 3-phase adapter
152242	BIMA 1, spot for 240V 3-phase track, single-headed, QPAR51, round, silver-grey max. 50W, incl. 3-phase adapter
184442	BIMA, spot for 240V track EASYTEC II, QPAR51, double-headed, silver-grey, max. 100W
184452	BIMA 1, spot for 240V track EASYTEC II, QPAR51, single-headed, silver-grey, max. 50W
185440	BIMA 2, spot for 240V track EASYTEC II, double-headed, QPAR51, chrome/black, max. 100W
185450	BIMA 1, spot for 240V track EASYTEC II, single-headed, QPAR51, chrome/black, max. 50W
184440	BIMA 2, spot for 240V track EASYTEC II, QPAR51, double-headed, black, 2x50W max.

---

184441 BIMA 2, spot for 240V track EASYTEC II, QPAR51, double-headed, white, 2x50W max.

---

184450 BIMA 1, spot for 240V track EASYTEC II, QPAR51, single-headed, black, max. 50W

---

184451 BIMA 1, spot for 240V track EASYTEC II, QPAR51, single-headed, white, max. 50W

Double-headed adjustable high-voltage spot BIMA 2 with suitable adapter for the 240V 1-phase track system. The luminaire is made of aluminium and has a GU10 socket installed which makes it suitable for both halogen and LED lamps. Both lamp heads are separately adjustable. This luminaire is suitable for lamps of energy classes: E - A++ / E - A++

#### Notes

---

---

---