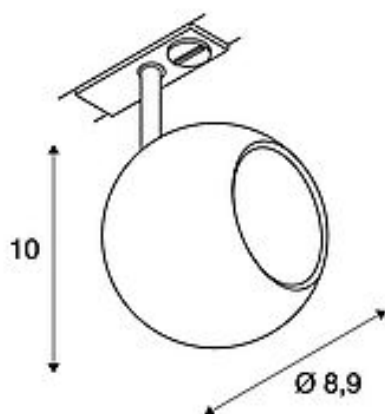


LIGHT EYE spot for 240V 1-phase track

QPAR51, white / chrome, max. 50W, incl. 1-phase adapter, white



Article number	144011
Product family	Light Eye 90
Feed-in capability	No
LBS code	QPAR51
Lamp	QPAR51
Lampholder / Socket	GU10
Number of light sources	1
Lamp included	No
Tilt range	90 Degree
Rotation range	350 Degree
Length	12.2 cm
Height	10 cm
Diameter	8.9 cm
Net weight	0.198 kg
Gross weight	0.256 kg
Voltage	230V ~50/60Hz
Max. wattage	50 Watt
Protection class	II
Material	steel
Colour	white/chrome
Way of mounting	Track mounting
Energy efficiency class	A++
Catalogue page	BIG WHITE 2018: 398

Articles of this series

133490	LIGHT EYE BALL, pendant, LED GU10, black/chrome, black textile cable, black/chrome ceiling plate, 5W
133491	LIGHT EYE BALL pendant, LED GU10, white/chrome, clear cable, white/chrome ceiling plate, 5W
133493	LIGHT EYE BALL pendant, LED GU10, brass, black textile cable, brass ceiling plate, 5W
133495	LIGHT EYE BALL pendant, LED GU10, fern-green, clear cable, fern-green ceiling plate, 5W
133499	LIGHT EYE BALL pendant, LED GU10, brushed copper, black textile cable, brushed copper ceiling plate, 5W
136184	LIGHT EYE, spot for LINUX LIGHT, QR51, chrome, max. 50W
144010	LIGHT EYE spot for 240V 1-phase track, QPAR51, black / chrome, max. 50W, incl. 1-phase adapter, black
144013	LIGHT EYE spot for 240V 1-phase track, QPAR51, brass, max. 50W, incl. 1-phase adapter, black
144015	LIGHT EYE spot for 240V 1-phase track, QPAR51, fern-green, max. 50W, incl. 1-phase adapter, white
144019	LIGHT EYE spot for 240V 1-phase track, QPAR51, copper colour, max. 50W, incl. 1-phase adapter, black
144020	LIGHT EYE, pendant for 240V 1-phase track, LED GU10, black / chrome, black textile cable, 5W, incl. 1-phase adapter, black
144021	LIGHT EYE, pendant for 240V 1-phase track, LED GU10, white / chrome, transparent cable, 5W, incl. 1-phase adapter, white
144023	LIGHT EYE, pendant for 240V 1-phase track, LED GU10, brass, black textile cable, 5W, incl. 1-phase adapter, black
144025	LIGHT EYE, pendant for 240V 1-phase track, LED GU10, fern-green, transparent cable, 5W, incl. 1-phase adapter, white
144029	LIGHT EYE, pendant for 240V 1-phase track, LED GU10, copper colour, black textile cable, 5W, incl. 1-phase adapter, black
149060	LIGHT EYE 1 wall and ceiling light, single-headed, QPAR51, black/chrome, max. 50W
149061	LIGHT EYE 1 wall and ceiling light, single-headed, QPAR51, white/chrome, max. 50W

149062	LIGHT EYE 1 wall and ceiling light, single-headed, QPAR51, chrome, max. 50W
149065	LIGHT EYE 1 wall and ceiling light, single-headed, QPAR51, fern-green, max. 50W
149070	LIGHT EYE 2 wall and ceiling light, double-headed, QPAR51, black/chrome, max. 100 W
149071	LIGHT EYE 2 wall and ceiling light, double-headed, QPAR51, white/chrome, max. 100 W
149072	LIGHT EYE 2 wall and ceiling light, double-headed, QPAR51, chrome, max. 100 W
149075	LIGHT EYE 2 wall and ceiling light, double-headed, QPAR51, fern-green, max. 100 W
185692	LIGHT EYE, spot for 240V track EASYTEC II, QPAR51, chrome, max. 50W
149069	LIGHT EYE 1 wall and ceiling light, single-headed, QPAR51, copper, max. 50W
149079	LIGHT EYE 2 wall and ceiling light, double-headed, QPAR51, copper, max. 2x50W
184690	LIGHT EYE, spot for 240V track EASYTEC II, QPAR51, black, max. 50W
184691	LIGHT EYE, spot for 240V track EASYTEC II, QPAR51, white, max. 50W
1000713	LIGHT EYE 150, pendant for 1-circuit high-voltage track, QPAR111, black/chrome, max. 75W, incl. 1-circuit adapter

The LIGHT EYE high-voltage spot is available in the latest trendy colours, and is equipped with an adapter for the 240V 1-phase track system. The round shaped luminaire is made of steel and, thanks to the GU10 socket, is suitable for both halogen and LED lamps. The turning and pivoting lamp head can be enhanced with a black, white, or chrome decorative ring.

Notes
