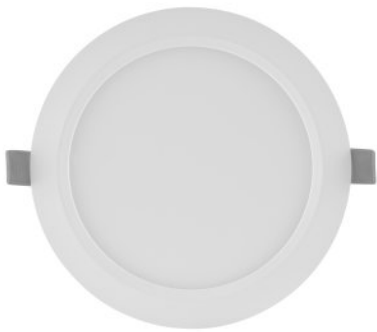


PRODUCT FAMILY DATASHEET

DOWNLIGHT SLIM ROUND

Flat downlights with integrated driver, round shape



AREAS OF APPLICATION

- Direct replacement for luminaires with compact fluorescent lamps
- General illumination
- Public areas
- Stairways
- Corridors
- Foyers
- Shops

PRODUCT BENEFITS

- Very slim housing
- Low installation depth
- High luminous efficacy
- Energy savings up to 60 % (compared to luminaires that use CFL lamps)
- Very homogenous light
- Functional design
- Easy installation with fast connection
- Simple installation thanks to integrated driver

PRODUCT FEATURES

- Small visible bezel
- Connector box with push wire terminal for tool-free connection
- Light guide made of non-yellowing PMMA for long lifetime

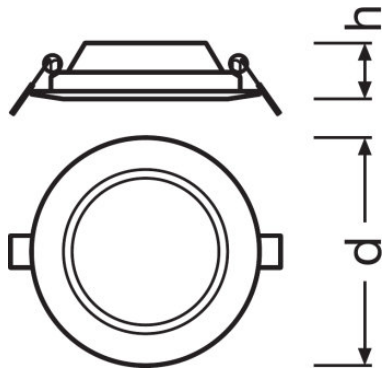


TECHNICAL DATA

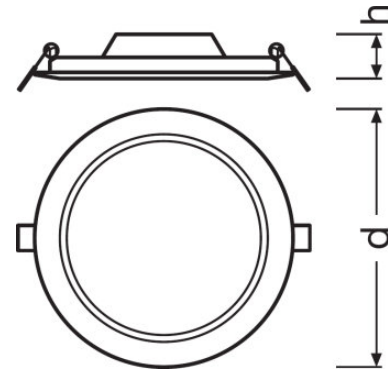
Product description	Electrical data			Luminaire control gear data		Photometrical data			Light technical data	Dimensions & weight
	Nominal wattage	Nominal voltage	Mains frequency	Output current	ECG - Output ripple current	Luminous flux	Light color (designation)	Color rendering index Ra	Beam angle	Diameter
DL SLIM DN 105 6 W 3000 K WT	6.00 W	220...240 V	50/60 Hz	180 mA	<6.5 %	420 lm	Warm White	>80	120 °	118.0 mm
DL SLIM DN 105 6 W 4000 K WT	6.00 W	220...240 V	50/60 Hz	180 mA	<6.5 %	430 lm	Cool White	>80	120 °	118.0 mm
DL SLIM DN 105 6 W 6500 K WT	6.00 W	220...240 V	50/60 Hz	180 mA	<6.5 %	430 lm	Cool Daylight	>80	120 °	118.0 mm
DL SLIM DN 155 12 W 3000 K WT	12.00 W	220...240 V	50/60 Hz	180 mA	<6.5 %	1020 lm	Warm White	>80	120 °	169.0 mm
DL SLIM DN 155 12 W 4000 K WT	12.00 W	220...240 V	50/60 Hz	180 mA	<6.5 %	1020 lm	Cool White	>80	120 °	169.0 mm
DL SLIM DN 155 12 W 6500 K WT	12.00 W	220...240 V	50/60 Hz	180 mA	<6.5 %	1020 lm	Cool Daylight	>80	120 °	169.0 mm
DL SLIM DN 210 18 W 3000 K WT	18.00 W	220...240 V	50/60 Hz	295 mA	<6.5 %	1530 lm	Warm White	>80	120 °	225.0 mm
DL SLIM DN 210 18 W 4000 K WT	18.00 W	220...240 V	50/60 Hz	295 mA	<6.5 %	1530 lm	Cool White	>80	120 °	225.0 mm
DL SLIM DN 210 18 W 6500 K WT	18.00 W	220...240 V	50/60 Hz	295 mA	<6.5 %	1530 lm	Cool Daylight	>80	120 °	225.0 mm

Product description	Height	Product weight	Mounting diameter	Colors & materials			Temperatures & operating conditions	Lifespan
				Body material	Product color	Cover material	Ambient temperature range	Lifespan L70 at 25 °C
DL SLIM DN 105 6 W 3000 K WT	30.0 mm	158.00 g	105.0 mm	Polycarbonate (PC)	White	Polycarbonate (PC)	-20...50 °C	30000 h
DL SLIM DN 105 6 W 4000 K WT	30.0 mm	158.00 g	105.0 mm	Polycarbonate (PC)	White	Polycarbonate (PC)	-20...50 °C	30000 h
DL SLIM DN 105 6 W 6500 K WT	30.0 mm	158.00 g	105.0 mm	Polycarbonate (PC)	White	Polycarbonate (PC)	-20...50 °C	30000 h
DL SLIM DN 155 12 W 3000 K WT	30.0 mm	272.00 g	155.0 mm	Polycarbonate (PC)	White	Polycarbonate (PC)	-20...50 °C	30000 h
DL SLIM DN 155 12 W 4000 K WT	30.0 mm	272.00 g	155.0 mm	Polycarbonate (PC)	White	Polycarbonate (PC)	-20...50 °C	30000 h
DL SLIM DN 155 12 W 6500 K WT	30.0 mm	272.00 g	155.0 mm	Polycarbonate (PC)	White	Polycarbonate (PC)	-20...50 °C	30000 h
DL SLIM DN 210 18 W 3000 K WT	30.0 mm	435.00 g	210.0 mm	Polycarbonate (PC)	White	Polycarbonate (PC)	-20...50 °C	30000 h
DL SLIM DN 210 18 W 4000 K WT	30.0 mm	435.00 g	210.0 mm	Polycarbonate (PC)	White	Polycarbonate (PC)	-20...50 °C	30000 h
DL SLIM DN 210 18 W 6500 K WT	30.0 mm	435.00 g	210.0 mm	Polycarbonate (PC)	White	Polycarbonate (PC)	-20...50 °C	30000 h

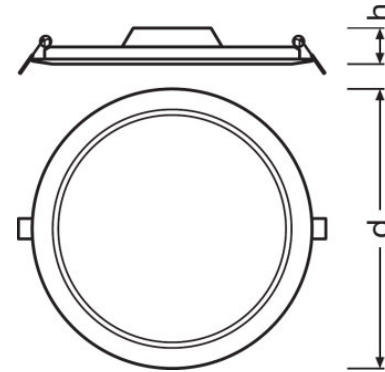
Product description	Lifespan L80 at 25 °C	Lifespan L90 at 25 °C	Capabilities		Certificates & standards	
			Dimmable	Type of connection	Protection class	Type of protection
DL SLIM DN 105 6 W 3000 K WT	20000 h	12000 h	No	Screwless terminal, 2-Pole	II	IP20
DL SLIM DN 105 6 W 4000 K WT	20000 h	12000 h	No	Screwless terminal, 2-Pole	II	IP20
DL SLIM DN 105 6 W 6500 K WT	20000 h	12000 h	No	Screwless terminal, 2-Pole	II	IP20
DL SLIM DN 155 12 W 3000 K WT	20000 h	12000 h	No	Screwless terminal, 2-Pole	II	IP20
DL SLIM DN 155 12 W 4000 K WT	20000 h	12000 h	No	Screwless terminal, 2-Pole	II	IP20
DL SLIM DN 155 12 W 6500 K WT	20000 h	12000 h	No	Screwless terminal, 2-Pole	II	IP20
DL SLIM DN 210 18 W 3000 K WT	20000 h	12000 h	No	Screwless terminal, 2-Pole	II	IP20
DL SLIM DN 210 18 W 4000 K WT	20000 h	12000 h	No	Screwless terminal, 2-Pole	II	IP20
DL SLIM DN 210 18 W 6500 K WT	20000 h	12000 h	No	Screwless terminal, 2-Pole	II	IP20



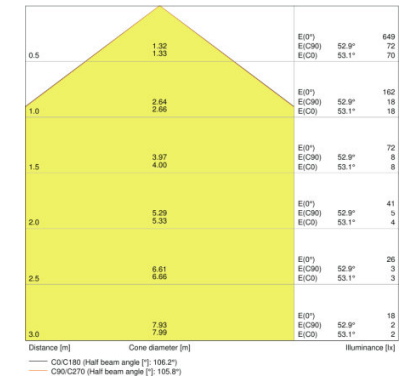
DL SLIM DN 105 6 W 3000 K WT, DL SLIM DN 105 6 W 4000 K WT, DL SLIM DN 105 6 W 6500 K WT



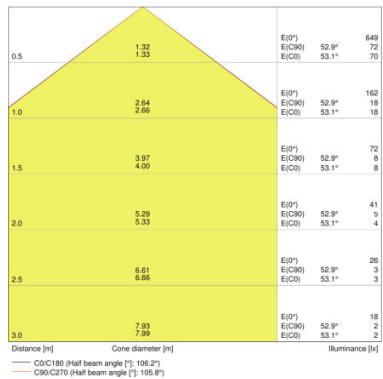
DL SLIM DN 155 12 W 3000 K WT, DL SLIM DN 155 12 W 4000 K WT, DL SLIM DN 155 12 W 6500 K WT



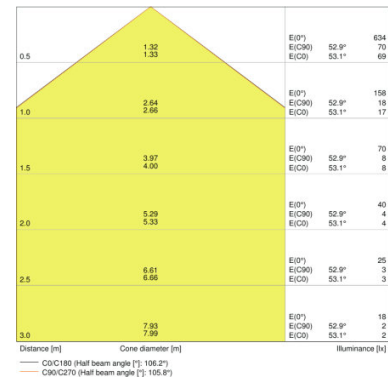
DL SLIM DN 210 18 W 3000 K WT, DL SLIM DN 210 18 W 4000 K WT, DL SLIM DN 210 18 W 6500 K WT



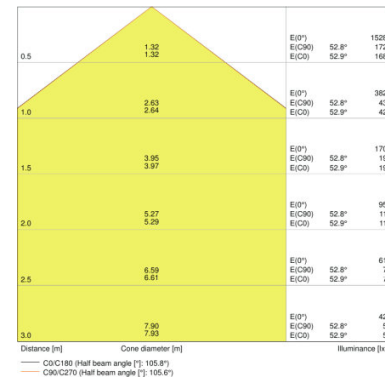
DL SLIM DN 105 6 W 3000 K WT



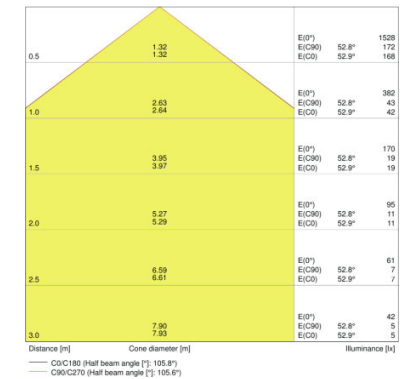
DL SLIM DN 105 6 W 4000 K WT



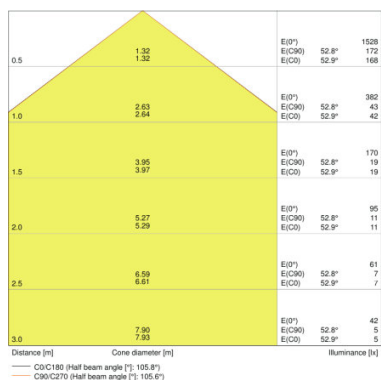
DL SLIM DN 105 6 W 6500 K WT



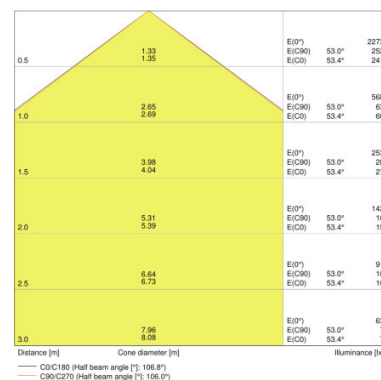
DL SLIM DN 155 12 W 3000 K WT



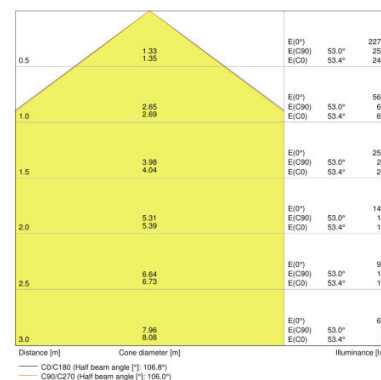
DL SLIM DN 155 12 W 4000 K WT



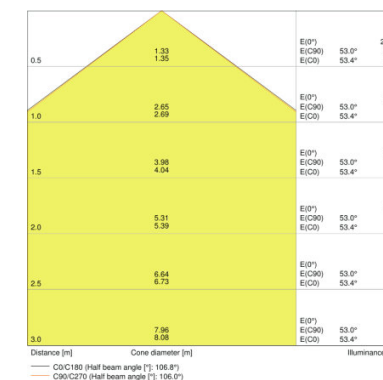
DL SLIM DN 155 12 W 6500 K WT



DL SLIM DN 210 18 W 3000 K WT



DL SLIM DN 210 18 W 4000 K WT



DL SLIM DN 210 18 W 6500 K WT

EQUIPMENT / ACCESSORIES

- Surface mounting frames available as accessories

APPLICATION ADVICE

For more detailed application information and graphics please see product datasheet.

LOGISTICAL DATA

Product code	Product description	Packaging unit (Pieces/Unit)	Dimensions (length x width x height)	Volume	Gross weight
4058075078970	DL SLIM DN 105 6 W 3000 K WT	Shipping carton box 6	290 mm x 165 mm x 165 mm	7.90 dm ³	1317.00 g
4058075078994	DL SLIM DN 105 6 W 4000 K WT	Shipping carton box 6	290 mm x 165 mm x 165 mm	7.90 dm ³	1317.00 g
4058075079014	DL SLIM DN 105 6 W 6500 K WT	Shipping carton box 6	290 mm x 165 mm x 165 mm	7.90 dm ³	1317.00 g

Product code	Product description	Packaging unit (Pieces/Unit)	Dimensions (length x width x height)	Volume	Gross weight
4058075079038	DL SLIM DN 155 12 W 3000 K WT	Shipping carton box 6	290 mm x 205 mm x 195 mm	11.59 dm ³	2158.00 g
4058075079052	DL SLIM DN 155 12 W 4000 K WT	Shipping carton box 6	290 mm x 205 mm x 195 mm	11.59 dm ³	2158.00 g
4058075079076	DL SLIM DN 155 12 W 6500 K WT	Shipping carton box 6	290 mm x 205 mm x 195 mm	11.59 dm ³	2158.00 g
4058075079090	DL SLIM DN 210 18 W 3000 K WT	Shipping carton box 6	290 mm x 270 mm x 250 mm	19.58 dm ³	3439.00 g
4058075079113	DL SLIM DN 210 18 W 4000 K WT	Shipping carton box 6	290 mm x 270 mm x 250 mm	19.58 dm ³	3439.00 g
4058075079137	DL SLIM DN 210 18 W 6500 K WT	Shipping carton box 6	290 mm x 270 mm x 250 mm	19.58 dm ³	3439.00 g

The mentioned product code describes the smallest quantity unit which can be ordered. One shipping unit can contain one or more single products. When placing an order, for the quantity please enter single or multiples of a shipping unit.

REFERENCES / LINKS

For Guarantee see

▶ www.ledvance.com/guarantee

DISCLAIMER

Subject to change without notice. Errors and omission excepted. Always make sure to use the most recent release.