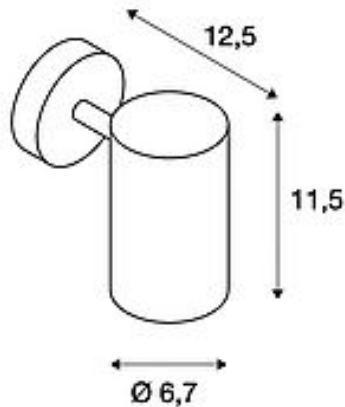




ENOLA_B

wall and ceiling light, spot, single-headed, QPAR51, brass, max. 50W

Article number	152013
Product family	Enola_B
Feed-in capability	No
LBS code	QPAR51
Lamp	QPAR51
Lampholder / Socket	GU10
Number of light sources	1
Lamp included	No
Tilt range	100 Degree
Rotation range	350 Degree
Length	13.5 cm
Height	12.5 cm
Diameter	6.7 cm
Net weight	0.423 kg
Gross weight	0.515 kg
Voltage	230V ~50Hz
Max. wattage	50 Watt
Protection class	I
Material	Aluminium/steel
Colour	Brass
Way of mounting	Surface wall / Surface ceiling mounting
Energy efficiency class	A++
Catalogue page	BIG WHITE 2018: 352
Light distribution type 1	Direct



Articles of this series

143960	ENOLA_B spot for 240V 1-phase track, QPAR51, black, max. 50W, incl. 1-phase adapter
143961	ENOLA_B pendant for 240V 1-phase track, QPAR51, white, max. 50W, incl. 1-phase adapter, white
143963	ENOLA_B pendant for 240V 1-phase track, QPAR51, brass, max. 50W, incl. 1-phase adapter, black
143964	ENOLA_B pendant for 240V 1-phase track, QPAR51, silver-grey / black, max. 50W, incl. 1-phase adapter, silver-grey
151800	ENOLA_B, wall light, QPAR51, round, up/down, black, max. 50W, incl. deco ring black
151801	ENOLA_B, wall light, QPAR51, round, up/down, white, max. 50 W, incl. white deco ring
151803	ENOLA_B, wall light, QPAR51, round, up/down, brass, max. 50 W, incl. brass deco ring
151804	ENOLA_B, wall light, QPAR51, round, up/down, silver-grey/black, max. 50 W, incl. silver-grey/black deco ring
151810	ENOLA_B CL-1, ceiling light, QPAR51, round, black, max. 35 W
151811	ENOLA_B CL-1, ceiling light, QPAR51, round, white, max. 35 W
151813	ENOLA_B CL-1, ceiling light, QPAR51, round, brass, max. 35 W
151814	ENOLA_B CL-1, ceiling light, QPAR51, round, silver-grey / black, max. 35 W
151820	ENOLA_B, wall and ceiling light, single-headed, QPAR51, black, max. 50 W
151821	ENOLA_B, wall and ceiling light, single-headed, QPAR51, white, max. 50W
151823	ENOLA_B, wall and ceiling light, single-headed, QPAR51, brass, max. 50W
151824	ENOLA_B, wall and ceiling light, single-headed, QPAR51, silver-grey/black, max. 50W
151830	ENOLA_B, wall and ceiling light, double-headed, QPAR51, black, max. 100 W
151831	ENOLA_B, wall and ceiling light, double-headed, QPAR51, white, max. 100 W

151833	ENOLA_B, wall and ceiling light, double-headed, QPAR51, brass, max. 100 W
151834	ENOLA_B, wall and ceiling light, double-headed, QPAR51, silver-grey/black, max. 100 W
151850	ENOLA_B PD-1, pendant, QPAR51, black, max. 50W
151851	ENOLA_B PD-1, pendant, QPAR51, white, max. 50W
151853	ENOLA_B PD-1, pendant, QPAR51, brass, max. 50W
151854	ENOLA_B PD-1, pendant, QPAR51, silver-grey / black, max. 50W
152000	ENOLA_B, wall light, QPAR51, Torch, black, max. 50W
152001	ENOLA_B, wall light, QPAR51, Torch, white, max. 50W
152003	ENOLA_B, wall light, QPAR51, Torch, brass, max. 50W
152004	ENOLA_B, wall light, QPAR51, Torch, silver-grey/black, max. 50W
152010	ENOLA_B, wall and ceiling light, spot, single-headed, QPAR51, black, max. 50W
152011	ENOLA_B, wall and ceiling light, spot, single-headed, QPAR51, white, max. 50W
152014	ENOLA_B, wall and ceiling light, spot, single-headed, QPAR51, silver-grey/black, max. 50W
152020	ENOLA_B, wall and ceiling light, spot, double-headed, QPAR51, black, max. 100W
152021	ENOLA_B, wall and ceiling light, spot, double-headed, QPAR51, white, max. 100W
152023	ENOLA_B, wall and ceiling light, spot, double-headed, QPAR51, brass, max. 100W
152024	ENOLA_B, wall and ceiling light, spot, double-headed, QPAR51, silver-grey/black, max. 100W
1000729	ENOLA_B, wall light, QPAR51, with switch, black, max. 50W
1000730	ENOLA_B, wall light, QPAR51, with switch, white, max. 50W
1000731	ENOLA_B, wall light, QPAR51, with switch, brass, max. 50W
1000732	ENOLA_B, wall light, QPAR51, with switch, silver-grey/black, max. 50W

The puristic ENOLA B wall and ceiling light features an aluminium and steel construction that is available with a black, white, brass, or silver grey housing. The lamp head can also be rotated and swivelled. With its built-in GU10 high volt holder, the single-headed ENOLA B is ready for direct connection to 230V mains supply.

Notes
