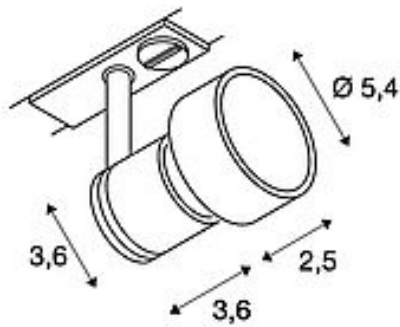




PURI

spot for 240V 1-phase track, QPAR51, matt black, max. 50W, incl. 1-phase adapter

Article number	143390
Product family	Puri
Feed-in capability	No
LBS code	QPAR51
Lamp	QPAR51
Lampholder / Socket	GU10
Number of light sources	1
Lamp included	No
Tilt range	85 Degree
Rotation range	350 Degree
Length	8.3 cm
Height	7.4 cm
Diameter	3.6 cm
Net weight	0.128 kg
Gross weight	0.19 kg
Voltage	230V ~50Hz
Max. wattage	50 Watt
Protection class	II
Material	Aluminium/plastic PC
Colour	matt black
Way of mounting	Track mounting
Remark 1	Deco ring for GU10 lamps included
Remark 2	Suitable for the use of ES111 lamps
Energy efficiency class	A++
Catalogue page	BIG WHITE 2018: 397



Articles of this series

143190	1-PHASE HIGH-VOLTAGE SET, triple-headed, LED GU10 51 mm, black, incl. 2x1 m 240V track, 3x Puri lamp heads, long connectors, 2 end caps, 3x deco ring, 3x LED GU10 lamp
143191	1-PHASE HIGH-VOLTAGE SET, triple-headed, white, incl. 2x1 m 240V track, 3x Puri lamp heads, long connectors, 2 end caps, 3x deco ring, 3x LED GU10 lamp
143194	1-PHASE HIGH-VOLTAGE SET, triple-headed, silver-grey, incl. 2x1 m 240V track, 3x Puri lamp heads, long connectors, 2 end caps, 3x deco ring, 3x LED GU10 lamp
143391	PURI spot for 240V 1-phase track, QPAR51, white, max. 50W, incl. 1-phase adapter
143392	PURI spot for 240V 1-phase track, QPAR51, silver-grey, max. 50W, incl. 1-phase adapter
143411	PURI SPOT-SET, LED GU10 51mm, 3000K, white, 36° LM, incl. Philips 4.5W LED, 1-phase adapter
143412	PURI SPOT-SET, LED GU10 51mm, 3000K, silver-grey, 36° LM, incl. Philips 4.5W LED, 1-phase adapter
143450	PURI spot for 240V 1-phase track, QPAR51, matt black, frosted black glass, max. 50W, incl. 1-phase adapter
143451	PURI spot for 240V 1-phase track, QPAR51, white, frosted glass, max. 50W, incl. 1-phase adapter
143454	PURI spot for 240V 1-phase track, QPAR51, silver-grey, frosted glass, max. 50W, incl. 1-phase adapter
147360	PURI 1 wall and ceiling light, single-headed, QPAR51, matt black, max. 50W, with deco ring
147361	PURI 1 wall and ceiling light, single-headed, QPAR51, matt white, max. 50W, with deco ring
147364	PURI 1 wall and ceiling light, single-headed, QPAR51, silver-grey, max. 50W, with deco ring
147366	PURI 1 wall and ceiling light, single-headed, QPAR51, wine red, max. 50W, with deco ring
147370	PURI 2 wall and ceiling light, double-headed, QPAR51, matt black, max. 100 W, with deco ring
147371	PURI 2 wall and ceiling light, double-headed, QPAR51, matt white, max. 100 W, with deco ring
147374	PURI 2 wall and ceiling light, double-headed, QPAR51, silver-grey, max. 100 W, with deco ring

147376	PURI 2 wall and ceiling light, double-headed, QPAR51, wine red, max. 100 W, with deco ring
147380	PURI 3 wall and ceiling light, triple-headed, QPAR51, matt black, max. 150 W, with deco ring
147381	PURI 3 wall and ceiling light, triple-headed, QPAR51, matt white, max. 150 W, with deco ring
147384	PURI 3 wall and ceiling light, triple-headed, QPAR51, silver-grey, max. 150 W, with deco ring
147386	PURI 3 wall and ceiling light, triple-headed, QPAR51, wine red, max. 150 W, with deco ring
153560	PURI, spot for 240V 3-phase track, QPAR51, matt black, max. 50W, incl. 3-phase adapter
153561	PURI spot for 240V 3-phase track, QPAR51, white, max. 50W, incl. 3-phase adapter
153564	PURI spot for 240V 3-phase track, QPAR51, silver-grey, max. 50W, incl. 3-phase adapter
153570	PURI SPOT-SET, LED GU10 51 mm, black, incl. Philips 5,3W, 3000K, 36° LM and 3-phase adapter
153571	PURI SPOT-SET, LED GU10 51 mm, white, incl. Philips 5,3W, 3000K, 36° LM and 3-phase adapter
153574	PURI SPOT-SET, LED GU10 51 mm, silver-grey, incl. Philips 5,3W, 3000K, 36° LM and 3-phase adapter

Adjustable high-voltage spot PURI with suitable adapter for the 240V 1-phase track system. The luminaire is made of aluminium and, thanks to the GU10 socket, is suitable for both halogen and LED lamps. A deco ring is included to place on the lamp for halogen lamps with 5 cm diameter. This luminaire is suitable for lamps of energy classes: E - A++

Notes
